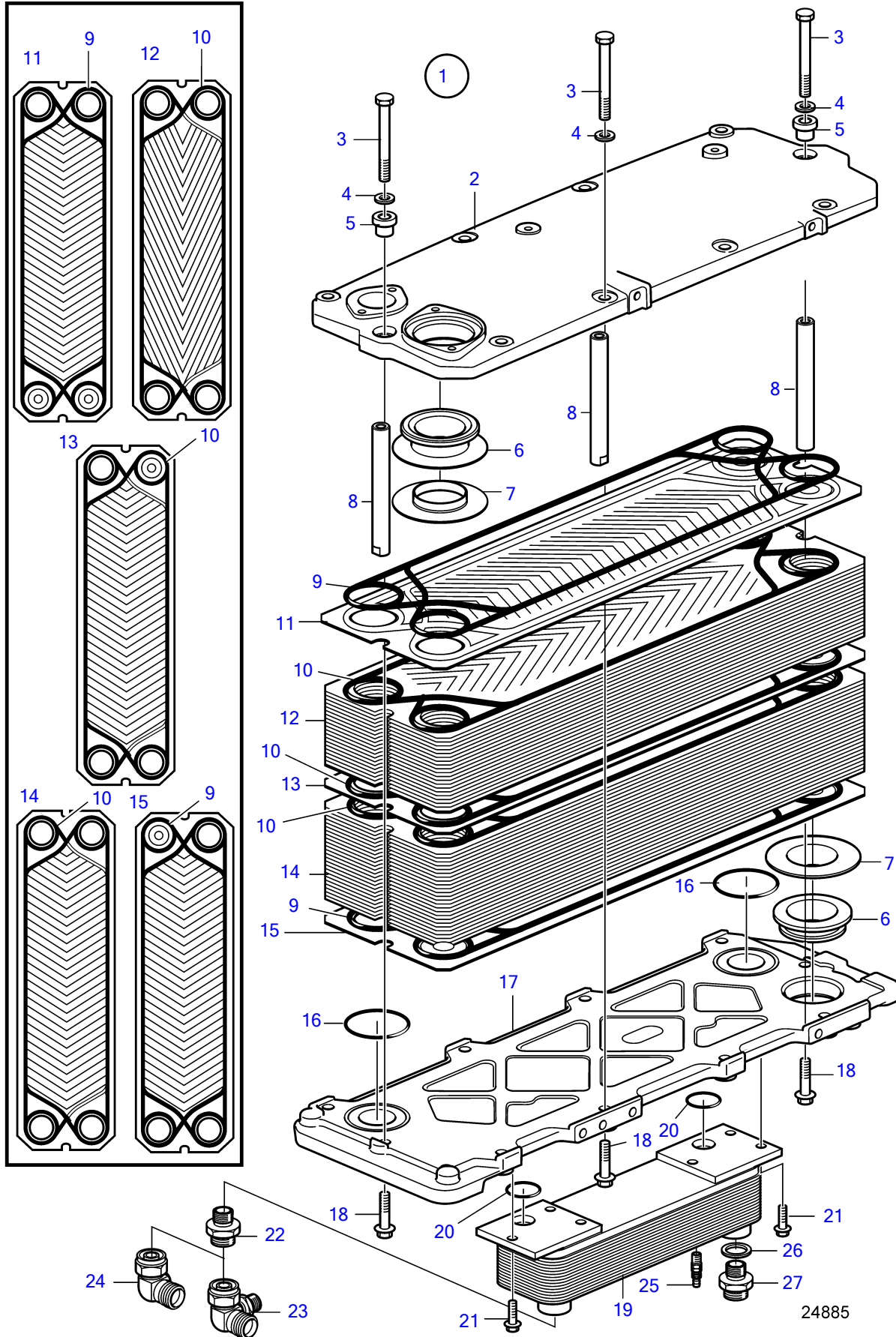


D13B-F MG



## D13B-F MG

| REF | PART NO. | QTY | DESCRIPTION             | NOTES                                   |
|-----|----------|-----|-------------------------|---|
| 1   | 21404010 | 1   | Heat exchanger          | Replaced by 21346489                    |
|     | 21346489 | 1   | Heat exchanger          |   |
| 2   | 21111056 | 1   | • Top plate             |   |
| 3   | 970959   | 10  | • Hexagon screw         |   |
| 4   | 190523   | 10  | • Washer                |   |
| 5   | 21111110 | 2   | • Spacer tube           |   |
| 6   | 21111123 | 2   | • Liner                 |   |
| 7   | 21111128 | 2   | • Collar                |   |
| 8   | 21111099 | 10  | • Spacer tube           |   |
| 9   | 21242901 | 2   | • Gasket, Top & Bottom  |   |
| 10  | 21242902 | 44  | • Gasket                |   |
| 11  | 21111094 | 1   | • Cooling plate, Top    |   |
| 12  | 21242897 | 17  | • Cooling plate         |   |
| 13  | 21242898 | 1   | • Cooling plate, middle |   |
| 14  | 21242895 | 25  | • Cooling plate         |   |
| 15  | 21242894 | 1   | • Cooling plate, bottom |   |
| 16  | 925255   | 2   | • O-ring                | H=3mm, old version                      |
|     | 994661   | 2   | • O-ring                | H=5mm, new version                      |
| 17  | 21111085 | 1   | • Bottom plate          | Replaced by one 21446285 and two 994661 |
|     | 21446285 | 1   | • Bottom plate          |   |
| 18  | 965185   | 10  | • Flange screw          |   |
| 19  | 3594800  | 1   | Oil cooler              | Relaced by 21403974                     |
|     | 21403974 | 1   | Oil cooler              |   |
| 20  | 925064   | 2   | • O-ring                |   |
| 21  | 945444   | 3   | Flange screw            |   |
| 22  | 994010   | 2   | Nipple                  | For IPS                                 |
| 23  | 21522448 | 1   | Elbow                   | For IPS, classified design              |
| 24  | 992197   | 1   | Elbow nipple, nipple    | For IPS                                 |
| 25  | 949918   | 1   | Shut-off cock           | For IPS and inboard                     |
| 26  | 976932   | 2   | Gasket                  | For inboard                             |
| 27  | 943986   | 2   | Nipple                  | For inboard                             |