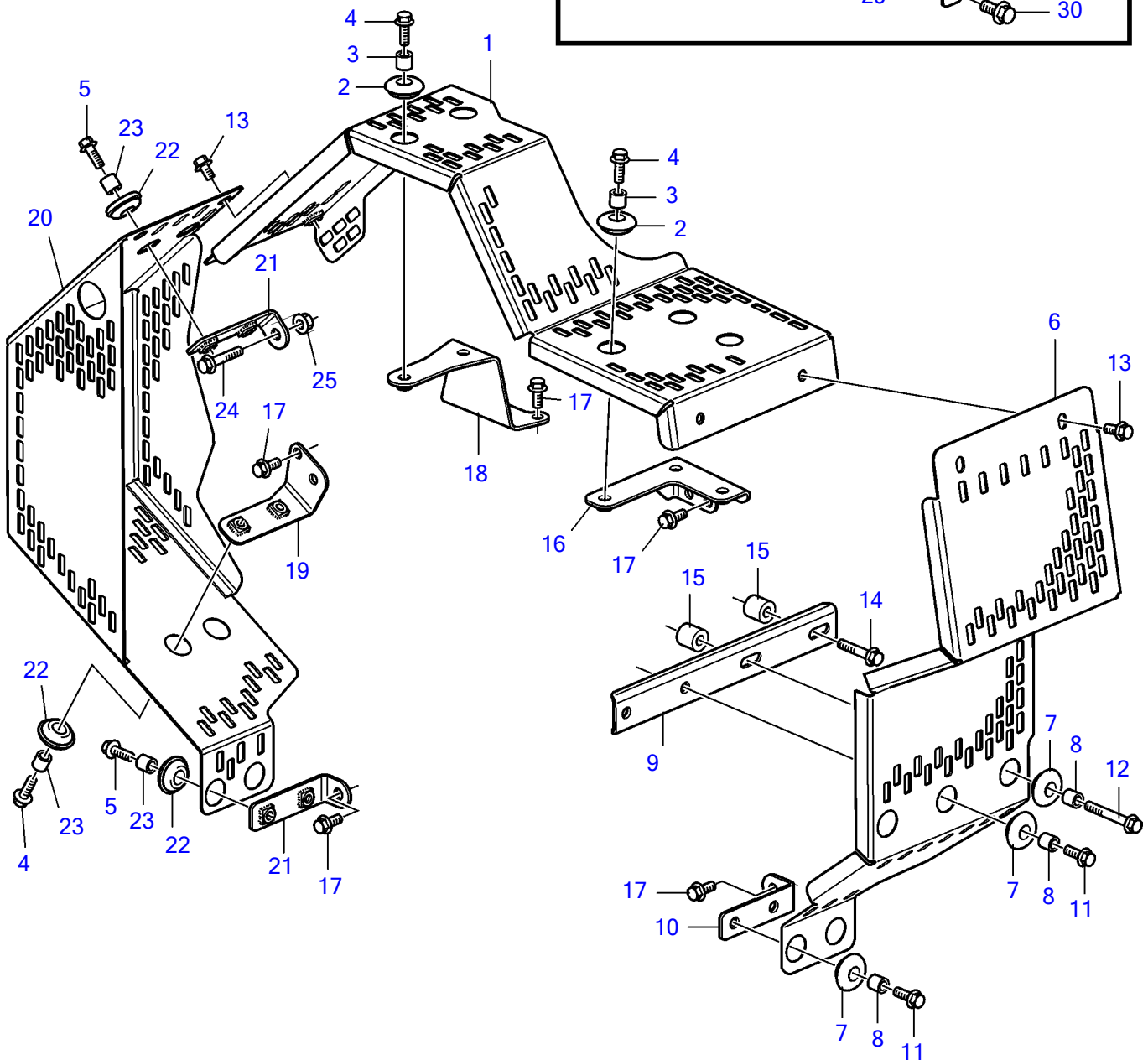
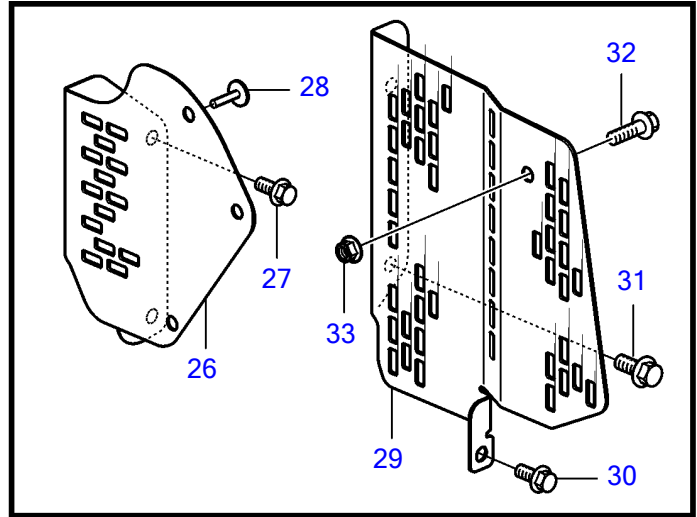


D13B-F MG



D13B-F MG

REF	PART NO.	QTY	DESCRIPTION
1	21554082	1	Protecting screen
2	3883499	5	• Rubber bushing
3	3830336	5	• Spacer
4	984735	9	Flange screw
5	946173	4	Flange screw
6	21274472	1	Protecting screen
7	3883499	5	• Rubber bushing
8	3830336	5	• Spacer
9	3819955	1	• Bracket
10	3828856	1	• Bracket
11	946173	4	• Flange screw
12	965216	1	Flange screw
13	947107	4	Flange screw
14	947760	2	Flange screw
15	826652	2	Spacer sleeve
16		1	Bracket
17	946440	7	Flange screw
18		1	Bracket
19		1	Bracket
20	21554207	1	Protecting screen
21	3828856	2	• Bracket
22	3883499	6	• Rubber bushing
23	3830336	6	• • Spacer
24	947760	1	• Flange screw
25	948645	1	Flange lock nut
26	21565391	1	Protecting screen
27	946441	2	Flange screw
28	971368	3	6 point socket screw
29	21809827	1	Protecting screen
30	946440	1	Flange screw
31	946441	2	Flange screw
32	946671	1	Flange screw
33	945408	1	Flange nut