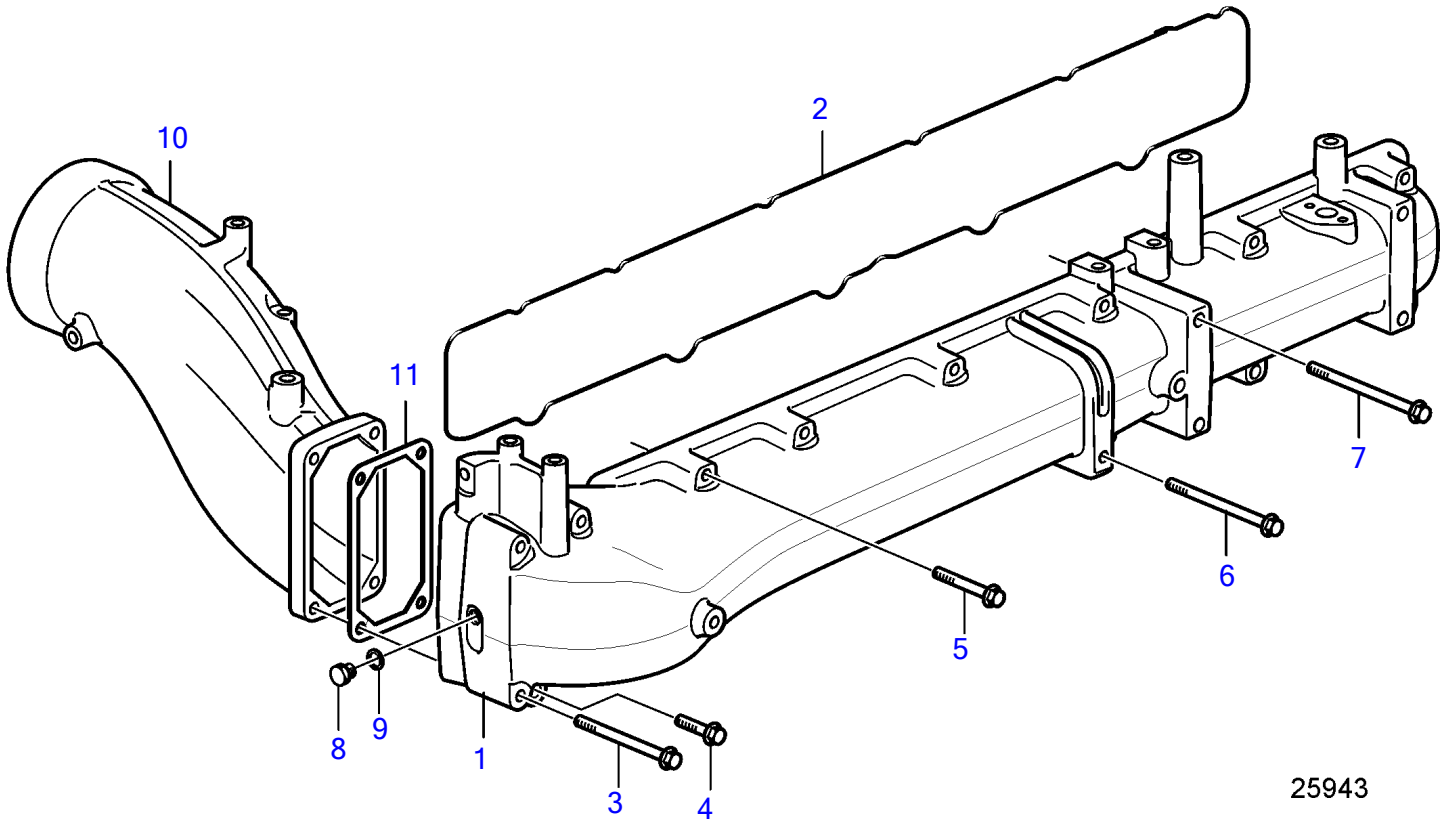
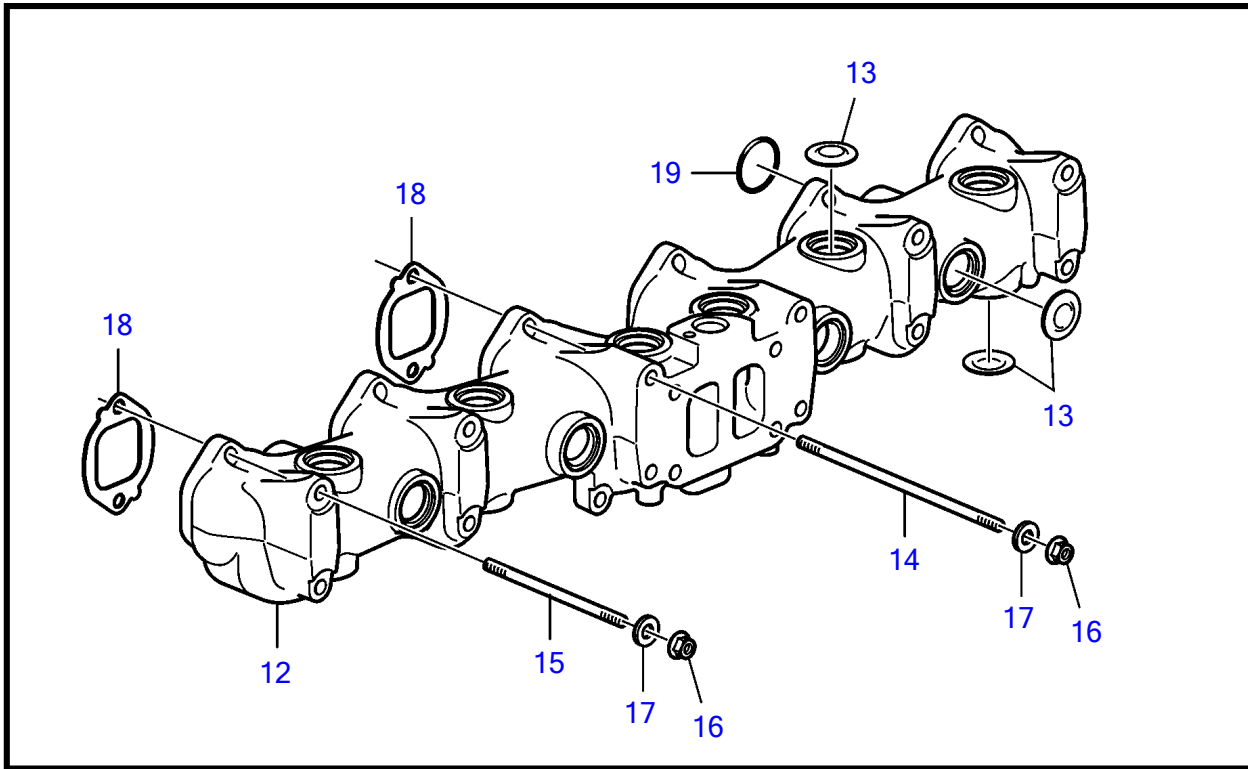


D13B-E MH



25943

D13B-E MH

REF	PART NO.	QTY	DESCRIPTION
1	21221926	1	Inlet pipe
2	20805850	1	• Sealing
3	965184	4	Flange screw
4	965185	1	Flange screw
5	965180	12	Flange screw
6	946173	1	Flange screw
7	946441	4	Flange screw
8	960628	1	Plug
9	947281	1	Gasket
10	3889519	1	Charge air pipe
11	3979639	1	Gasket
12	3888479	1	Exhaust manifold
13	968955	16	Expansion plug
14	948932	4	Stud
15	953007	8	Stud
16	1543499	12	Flange nut
17	941908	12	Spring washer
18	20855371	6	Gasket
19	1547253	2	Sealing ring