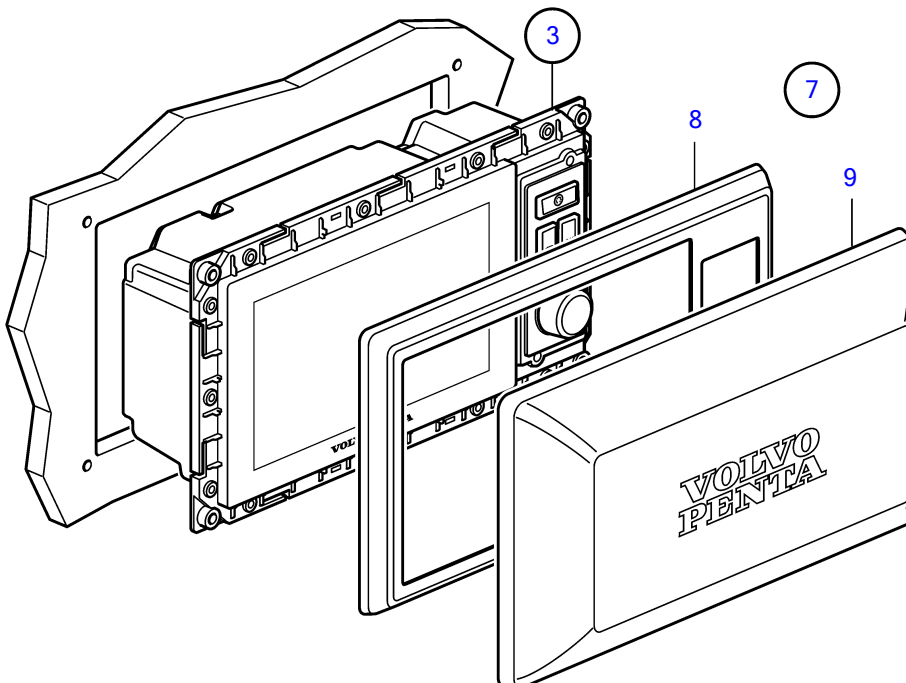
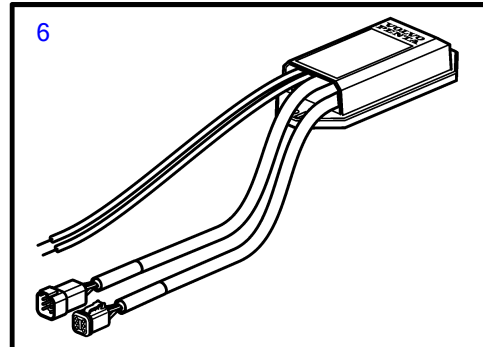
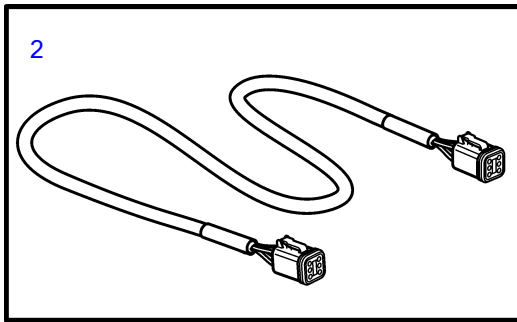
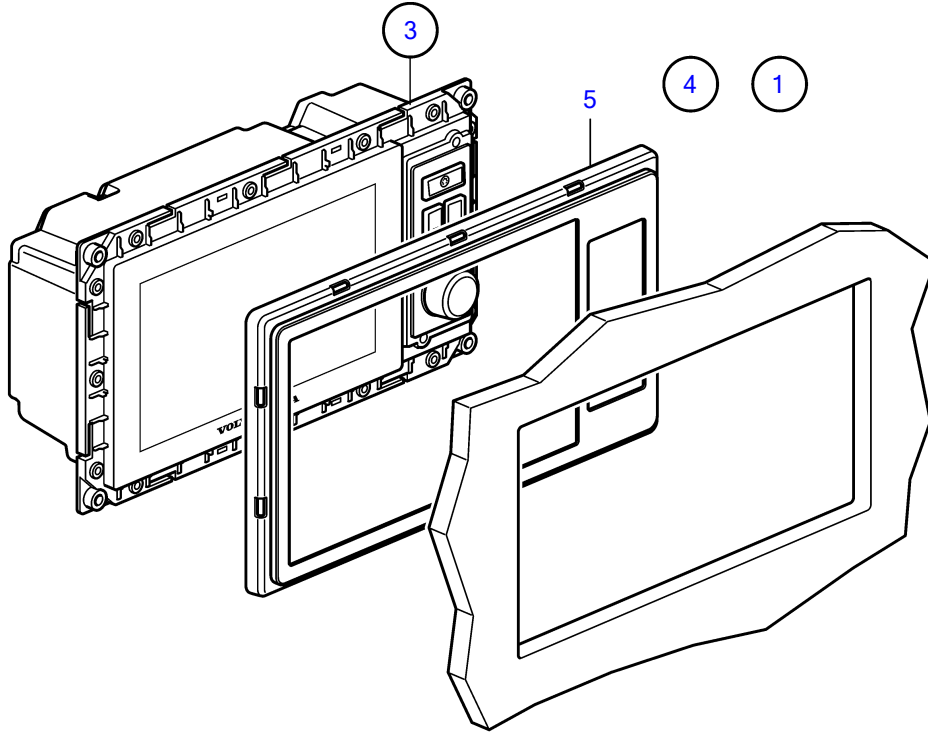


D13B-E MH



D13B-E MH

REF	PART NO.	QTY	DESCRIPTION	NOTES
1	21501717	1	Display	For flush mounting., replaced by next part number
	21685202	1	Display	For flush mounting.
2	21514712	1	• Cable	
3		1	• Kit	
		1	• • Display	
4	21330288	1	Kit	For flush mounting.
5		1	Frame	
6	21379779	1	Network adapter	12V
7	21330289	1	Kit	For top mounting
8	(21143284)	1	• Frame	Obsolete part
9	21144292	1	• Cover	