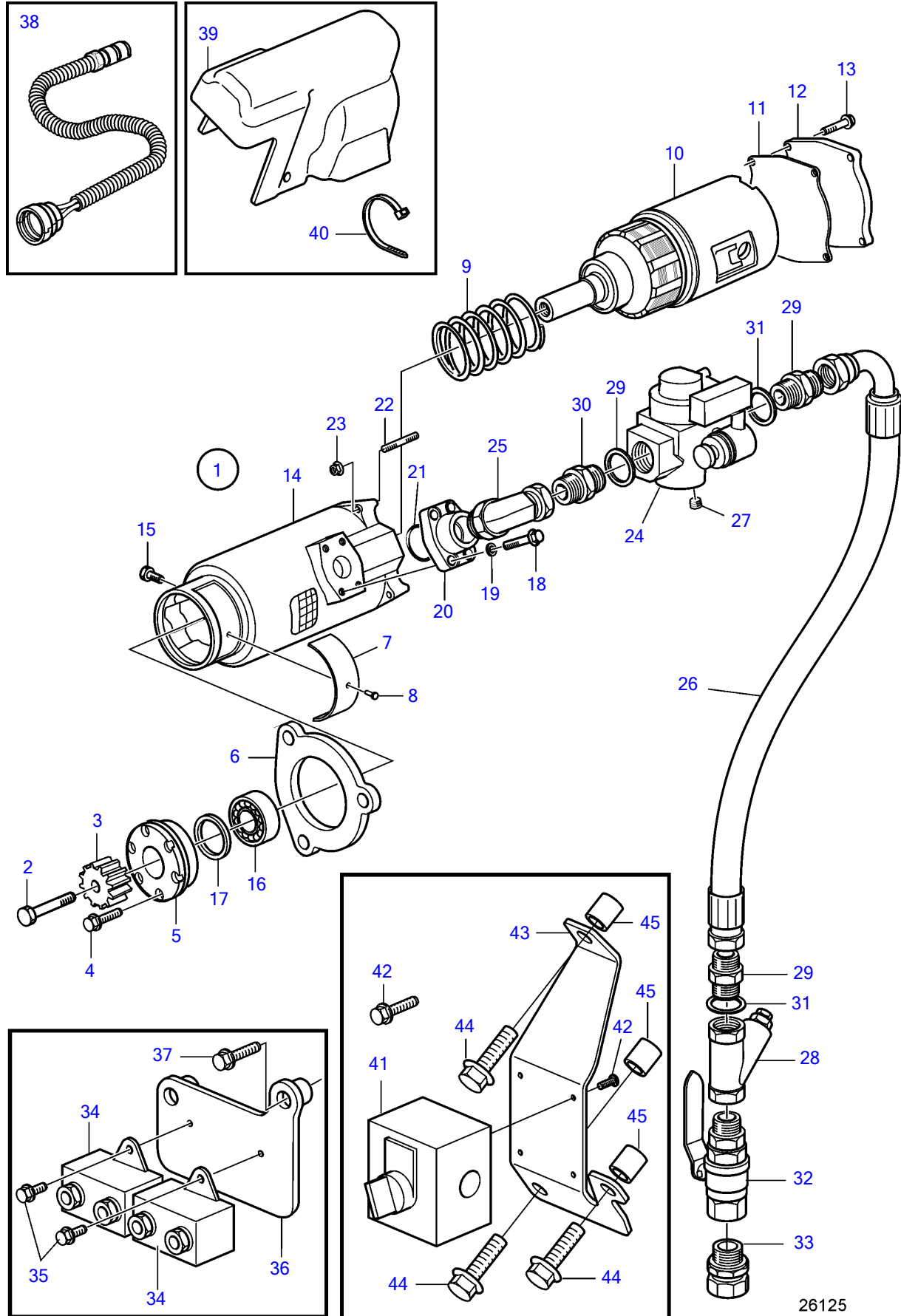


D13B-E MH



26125

D13B-E MH

REF	PART NO.	QTY	DESCRIPTION	NOTES
1	3829870	1	Starter motor	
2	(3830006)	1	• Screw	Obsolete part
3	3830007	1	• Starter pinion	
4		6	• Flange screw	
5	(3830011)	1	• Cover	Obsolete part
6	(3830013)	1	• Flange	Obsolete part
7	(3830015)	1	• Sign	Obsolete part
8	(3830016)	1	• Pin	Obsolete part
9	3830017	1	• Return spring	
10	(3830018)	1	• Liner	Obsolete part
11	(3830019)	1	• Gasket	Obsolete part
12	(3830020)	1	• Cover	Obsolete part
13	(3830021)	4	• Bolt	Obsolete part
14	(3830022)	1	• Housing	Obsolete part
15	(3830023)	1	• Plug	Obsolete part
16	1544092	1	• Ball bearing	
17	3830025	1	• Sealing	
18	956585	4	Hex. socket screw	
19	18665	4	Gasket	
20	21165591	1	Connection flange	
21	948700	1	O-ring	
22	953098	3	Stud	
23	971096	3	Flange nut	
24	3829869	1	Control valve	
25	21164611	1	Elbow nipple	
26	3829999	1	Hose	
27	952075	1	Plug	
28	3830394	1	Strainer	
29	21165586	2	Nipple	
30	21165583	1	Nipple	
31	993300	3	Gasket	
32	21165588	1	Ball valve	
33	21165655	1	Nipple	
34	3886793	2	Junction box	
35	967949	2	Flange screw	
36	21248267	1	Bracket	
37	965192	2	Flange screw	
38	3886990	1	Wiring harness	
39	3885232	1	Cover	
40	948211	2	Cable tie	
41	21622717	1	Rotary switch	
42	969514	4	6 point socket screw	
43	21612817	1	Bracket	
44	965192	3	Flange screw	
45	849513	2	Spacer sleeve	