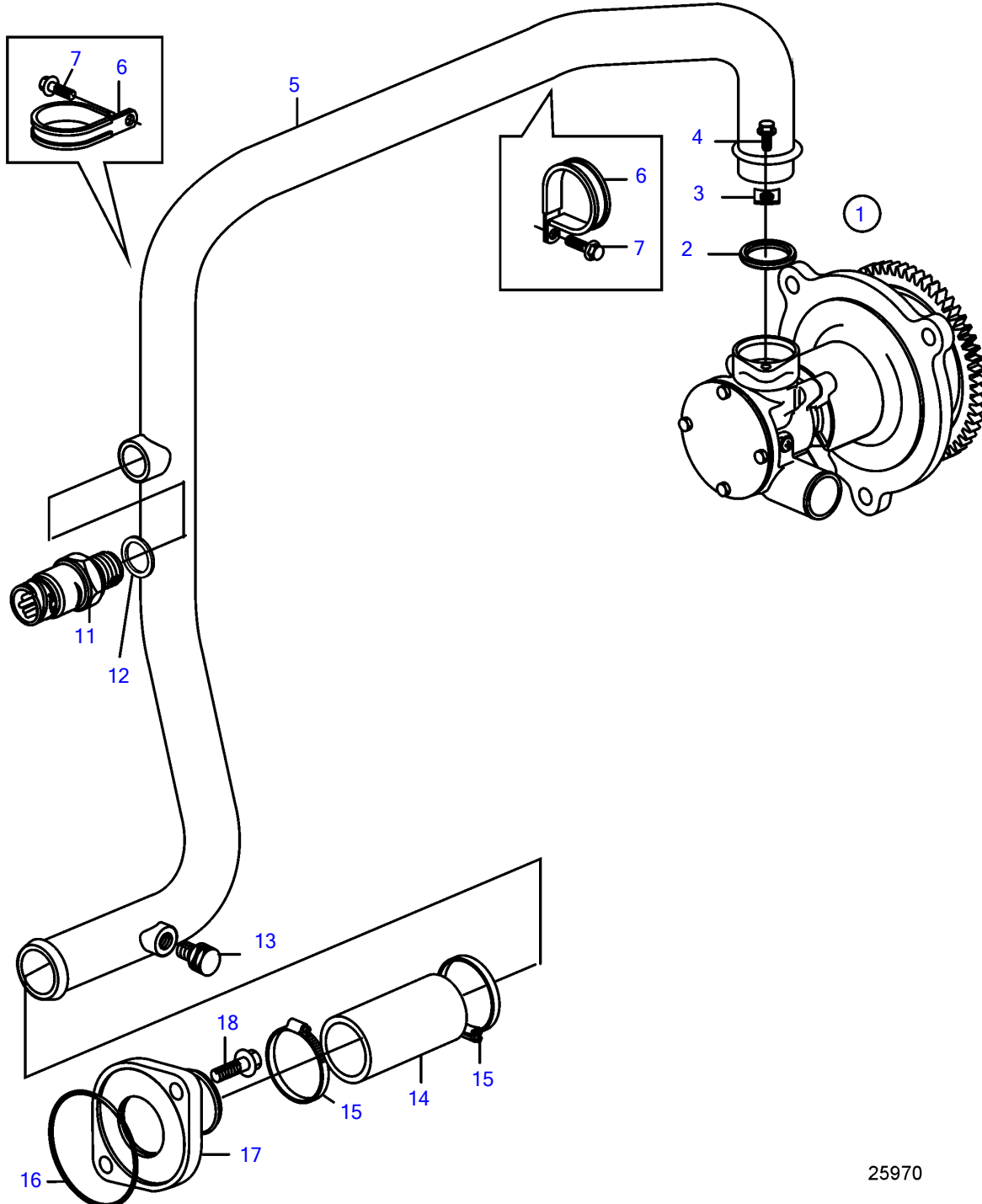
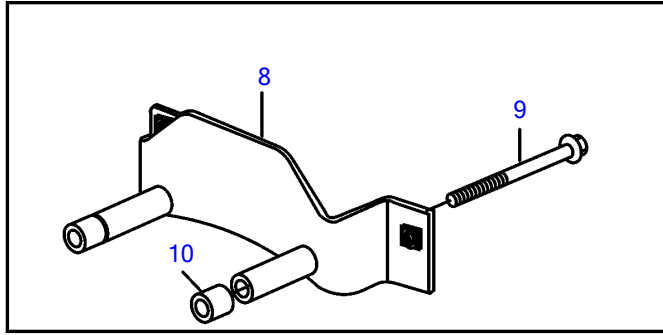


D13B-E MH



25970

## D13B-E MH

REF	PART NO.	QTY	DESCRIPTION	SEE SEC.
1	21167147	1	Sea water pump	
			.	
			.	9909
2	1556905	1	Sealing ring	
3	1546531	1	Lock brace	
4	946440	1	Flange screw	
5	21514386	1	Coolant pipe	
6	949850	2	Clamp	
7	946440	2	Flange screw	
8	21275337	1	Bracket	
9	969313	2	Flange screw	
10	855773	2	Spacer sleeve	
11		1	Sender	22344
12	11998	1	Gasket	
13	981749	1	Plug	
14	3808196	1	Hose	
15	961669	2	Hose clamp	
16	975675	1	O-ring	
17	21514503	1	Coolant pipe	
18	945444	2	Flange screw	