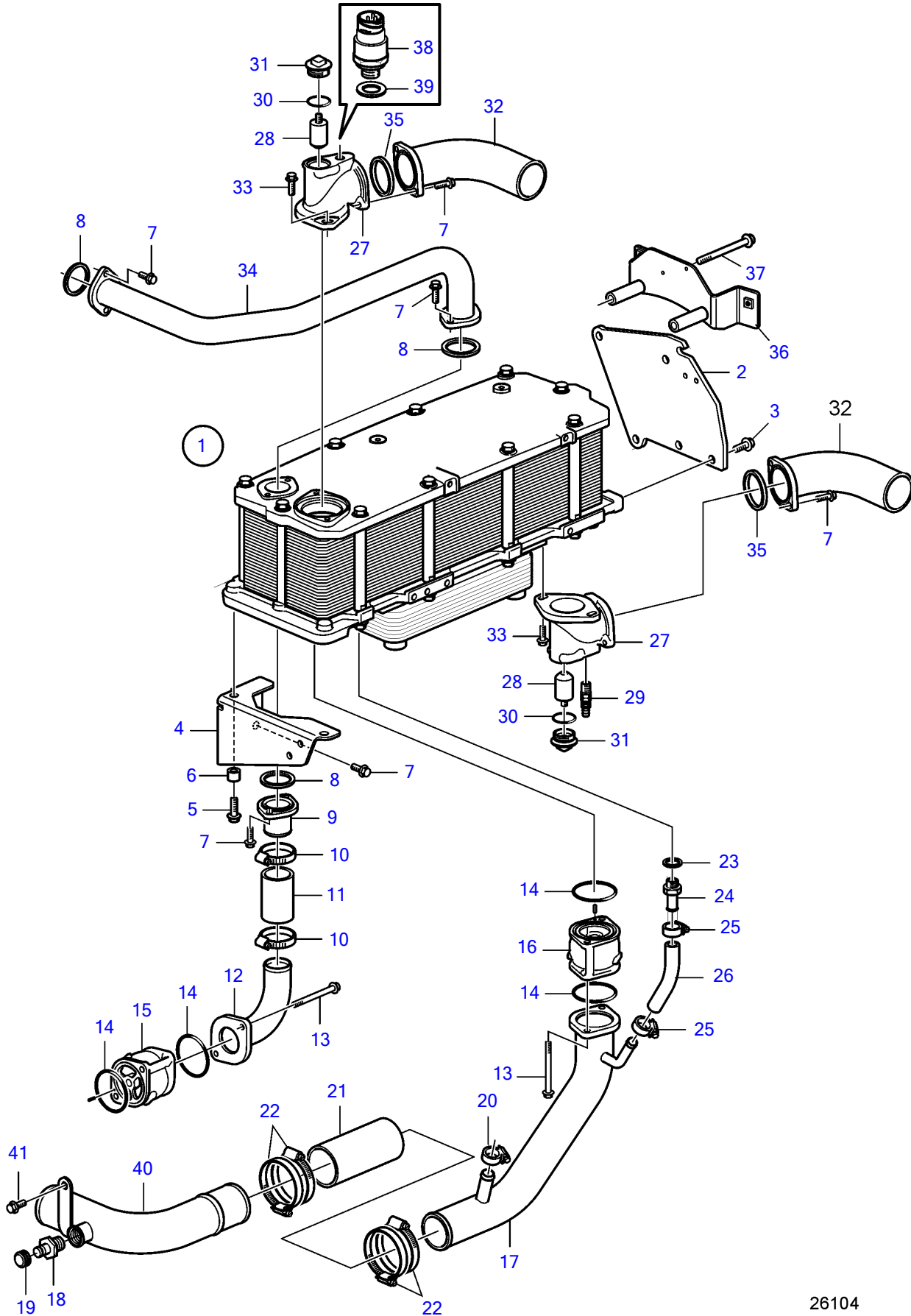


D13B-E MH



## D13B-E MH

REF	PART NO.	QTY	DESCRIPTION	SEE SEC.	NOTES
1	21404010	1	Heat exchanger		
			.	35773	
2	3889790	1	Bracket		
3	946329	3	Flange screw		
4		1	Bracket		
5	965186	2	Flange screw		
6	843028	2	Spacer sleeve		
7	946173	11	Flange screw		
8	864491	3	Gasket		
9	3826300	1	Tube		
10	961670	2	Hose clamp		
11	967813	1	Rubber hose		
12	21247896	1	Water pipe		
13	965183	4	Flange screw		
14	975675	4	O-ring		
15	21331356	1	Overflow valve		
16	21331358	1	Overflow valve		
17	21581591	1	Water pipe		
18	1676622	1	Nipple		
19	476279	1	Protecting cap		
20	961666	1	Hose clamp		
21	949540	X	Hose		L=150mm
22	961673	4	Hose clamp		
23	976931	1	Gasket		
24	966863	1	Hose nipple		
25	961665	2	Hose clamp		
26	946652	X	Rubber hose		L=120mm
27	21262909	2	Pipe connection		
28	823661	2	Zinc anode		
29	949918	1	Shut-off cock		
30	925064	2	O-ring		
31	823662	2	Plug		
32	21553881	2	Riser		
33	945444	4	Flange screw		
34	3889475	1	Water pipe		
35	843584	2	Gasket		
36	21275337	1	Bracket		
37	969313	2	Flange screw		
38			Pressure sensor	36156	
39	968559	1	O-ring		
40	21471533	1	Water pipe		
41	946440	1	Flange screw		