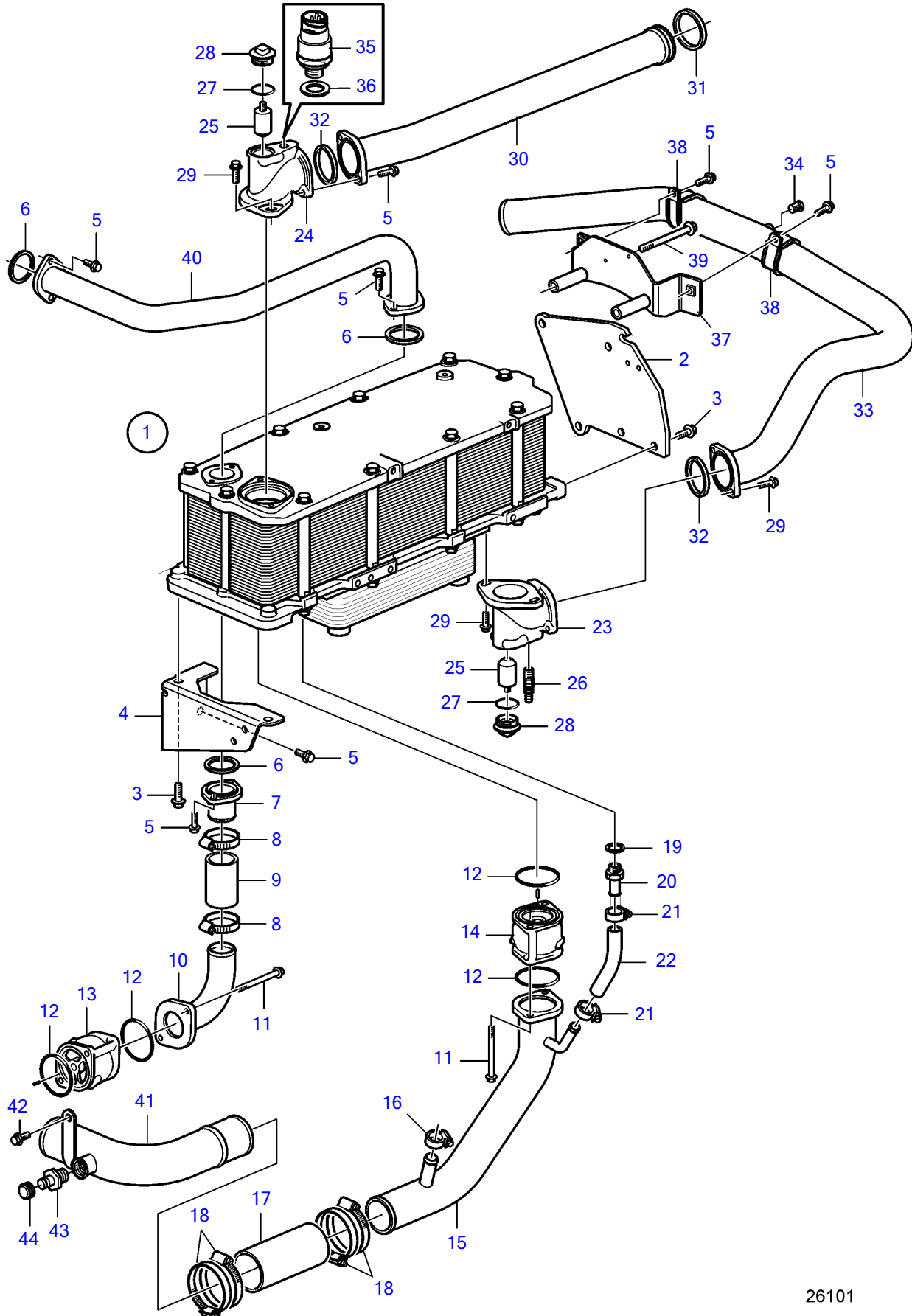


D13B-E MH



26101

## D13B-E MH

REF	PART NO.	QTY	DESCRIPTION	SEE SEC.	NOTES
1	21404010	1	Heat exchanger		
			.	35773	
2	3889790	1	Bracket		
3	946329	5	Flange screw		
4		1	Bracket		
5	946173	13	Flange screw		
6	864491	3	Gasket		
7	3826300	1	Tube		
8	961670	2	Hose clamp		
9	967813	1	Rubber hose		
10	21247896	1	Water pipe		
11	965183	4	Flange screw		
12	975675	4	O-ring		
13	21331356	1	Overflow valve		
14	21331358	1	Overflow valve		
15	21581591	1	Water pipe		
16	961666	1	Hose clamp		
17	949540	X	Hose		L=150mm
18	961673	4	Hose clamp		
19	976931	1	Gasket		
20	966863	1	Hose nipple		
21	961665	2	Hose clamp		
22	946652	X	Rubber hose		L=120mm
23	3889455	1	Pipe connection		
24	21262909	2	Pipe connection		
25	823661	2	Zinc anode		
26	949918	1	Shut-off cock		
27	925064	2	O-ring		
28	823662	2	Plug		
29	945444	6	Flange screw		
30	3889888	1	Seawater pipe		
31	863209	1	Sealing ring		
32	843584	2	Gasket		
33	21360567	1	Seawater pipe		
34	982363	1	Plug		
35			Pressure sensor	36156	
36	968559	1	O-ring		
37	21275337	1	Bracket		
38	20724640	2	Attaching clamp		
39	969313	2	Flange screw		
40	3889475	1	Water pipe		
41	21471533	1	Water pipe		
42	946440	1	Flange screw		
43	1676622	1	Nipple		
44	476279	1	Protecting cap		