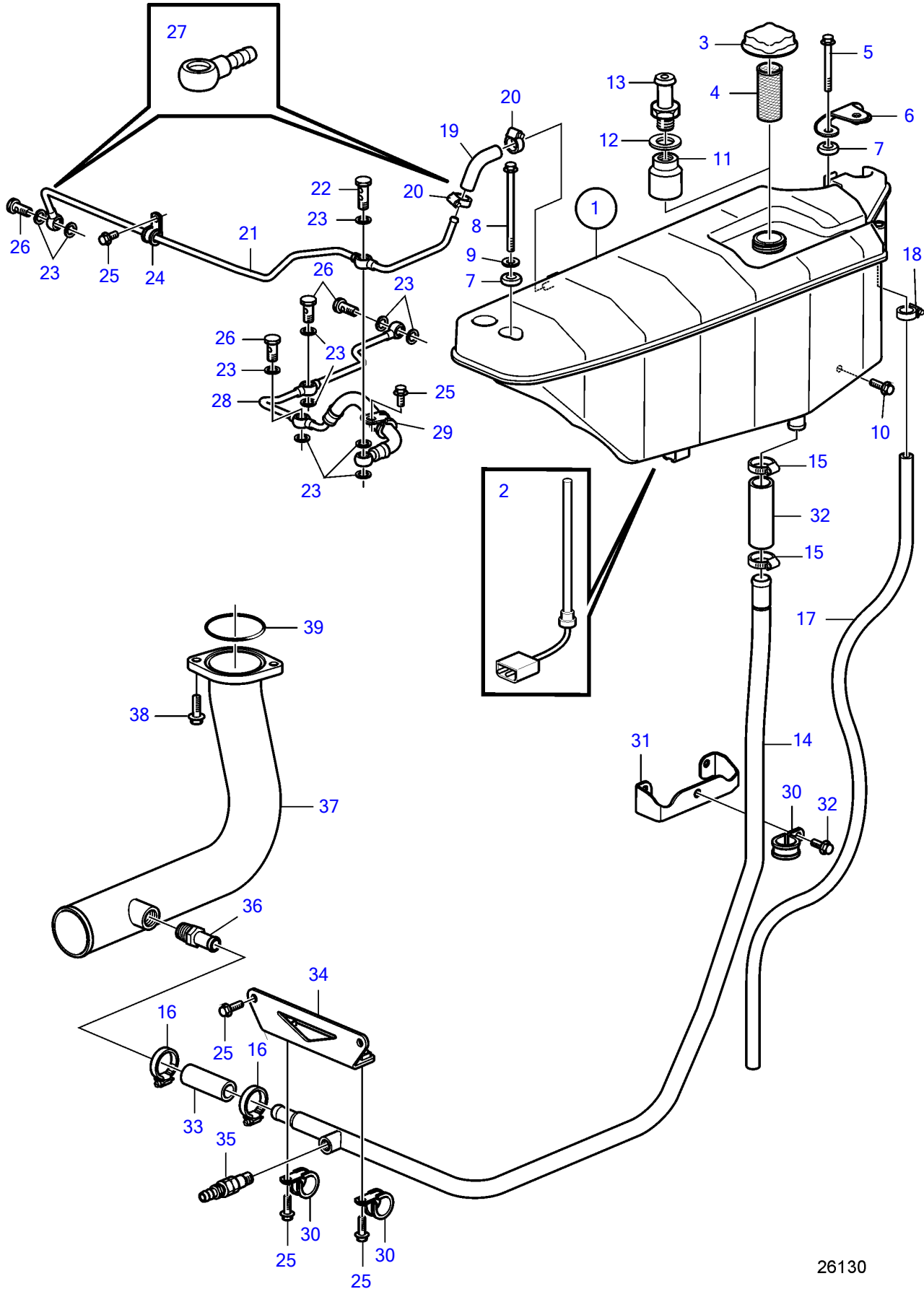


D13B-E MH



26130

D13B-E MH

REF	PART NO.	QTY	DESCRIPTION	NOTES
1	3885197	1	Expansion tank	Replaced by 21505289
	21505289	1	Expansion tank	
2	21416784	1	• Level sensor	Included in expansionstank 21505289
3	1674083	1	• Pressure cap	
4	21366063	1	Pipe	
5	965181	2	Flange screw	
6	21167108	1	Bracket, cover	
7	3285120	4	Grommet	
8	969225	2	Flange screw	
9	976944	2	Washer	
10	946173	1	Flange screw	
11	3826167	1	Adapter	
12	836169	1	Gasket	
13	943268	1	Hose nipple	
14	21504807	1	Pipe	
15	961666	2	Hose clamp	
16	961665	2	Hose clamp	
17	943367	X	Rubber hose	L=11000mm
18	961663	1	Hose clamp	
19	943367	X	Rubber hose	L=80mm
20	961663	2	Hose clamp	
21	21505623	1	Air vent pipe	
22	947975	1	Hollow screw	
23	11994	11	Gasket	
24	942400	1	Clamp	
25	946440	6	Flange screw	
26	969299	4	Hollow screw	
27	21743699	2	Banjo nipple	KC
28	21139808	1	Air vent pipe	
29	949747	1	Clamp	
30	1545432	1	Attaching clamp	
31	21582142	1	Bracket	
32	944926	1	Flange screw	
33	943369	X	Rubber hose	L=75mm
34	21571912	1	Bracket	
35	949918	1	Shut-off cock	
36	961657	1	Hose nipple	
37	21381313	1	Water pipe	
38	945444	2	Flange screw	
39	975675	1	O-ring	