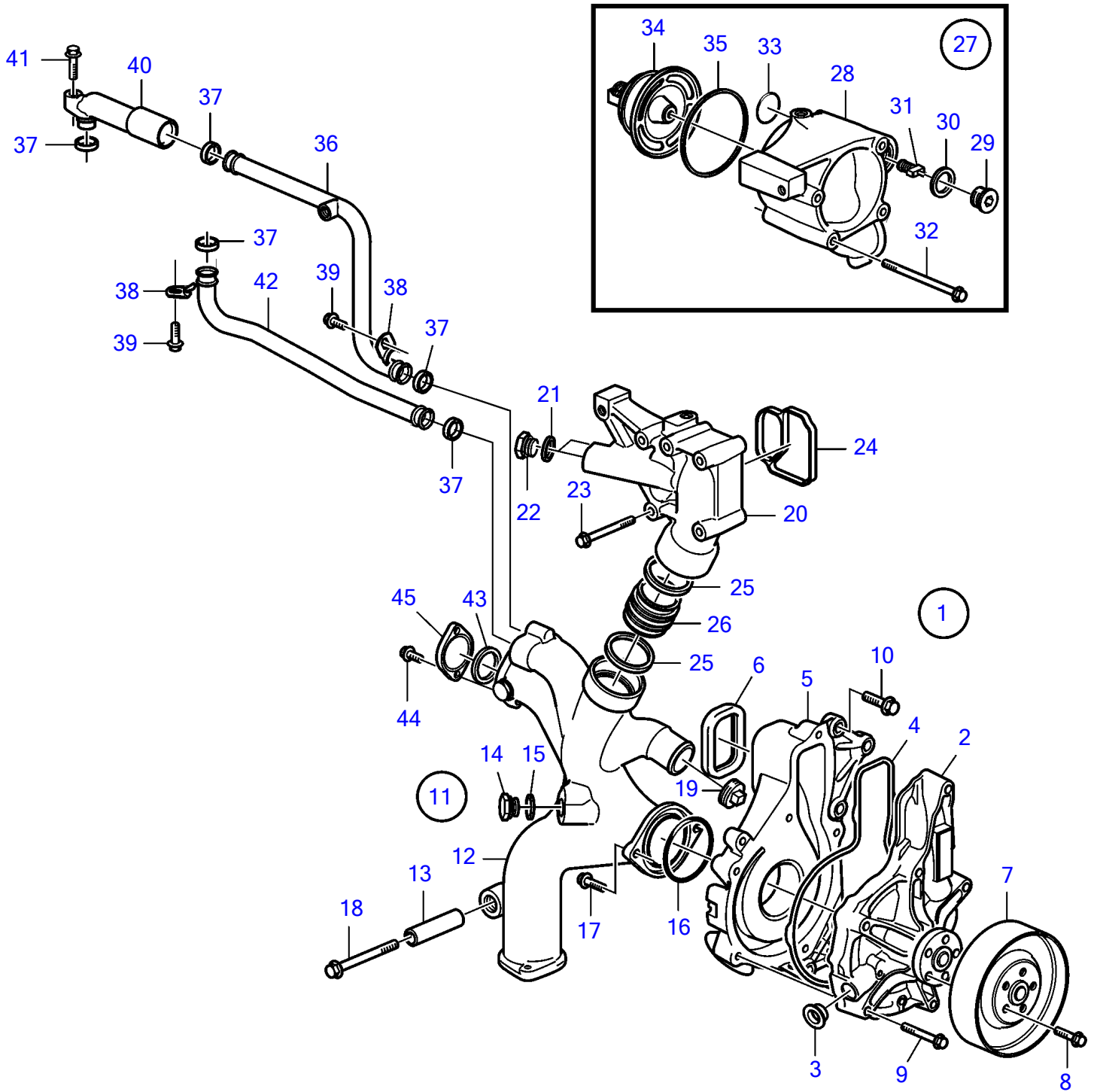


D13B-E MH



26167

## D13B-E MH

REF	PART NO.	QTY	DESCRIPTION	NOTES
1	21468471	1	Pump unit	
2	21468471	1	• Pump unit	
3		1	• • Plastic plug	
4	21415427	1	• • Sealing ring	
5		1	Coolant pump	
6	20430678	1	Sealing ring	
7	20711223	1	Pulley	
8	947107	5	Flange screw	
9	965180	6	Flange screw	
10	965185	6	Flange screw	
11	21645842	1	Coolant pipe	
12		1	• Coolant pipe	
13		1	• Spacer	
14	914392	1	Plug	
15	976932	1	Gasket	
16	975697	1	O-ring	
17	946671	2	Flange screw	
18	965190	1	Flange screw	
19	21297814	1	Plug	KC
20	21403177	1	Pipe connection	
21	976932	2	Gasket	
22	914392	2	Plug	
23	965182	5	Flange screw	
24	20479636	1	Sealing strip	
25	1547254	2	Sealing ring	
26	21021925	1	Connection pipe	
27		1	Thermostat housing	
28		1	• Thermostat housing	
29	981280	1	• Plug	
30	18813	1	• Gasket	
31	21246119	1	• By-pass valve	
32	969225	4	Flange screw	
33	949659	1	O-ring	
34	21237213	1	Thermostat	Replaced by 21412646
	21412639	1	Thermostat	
35		1	• Seal	
36		1	Water pipe	
37	1547255	5	Sealing ring	
38	1546531	2	Lock brace	
39	946440	2	Flange screw	
40	21216491	1	Pipe connection	
41	946671	1	Flange screw	
42	3594799	1	Water pipe	
43	848163	1	Gasket	
44	946173	2	Flange screw	
45	3826734	1	Flange	