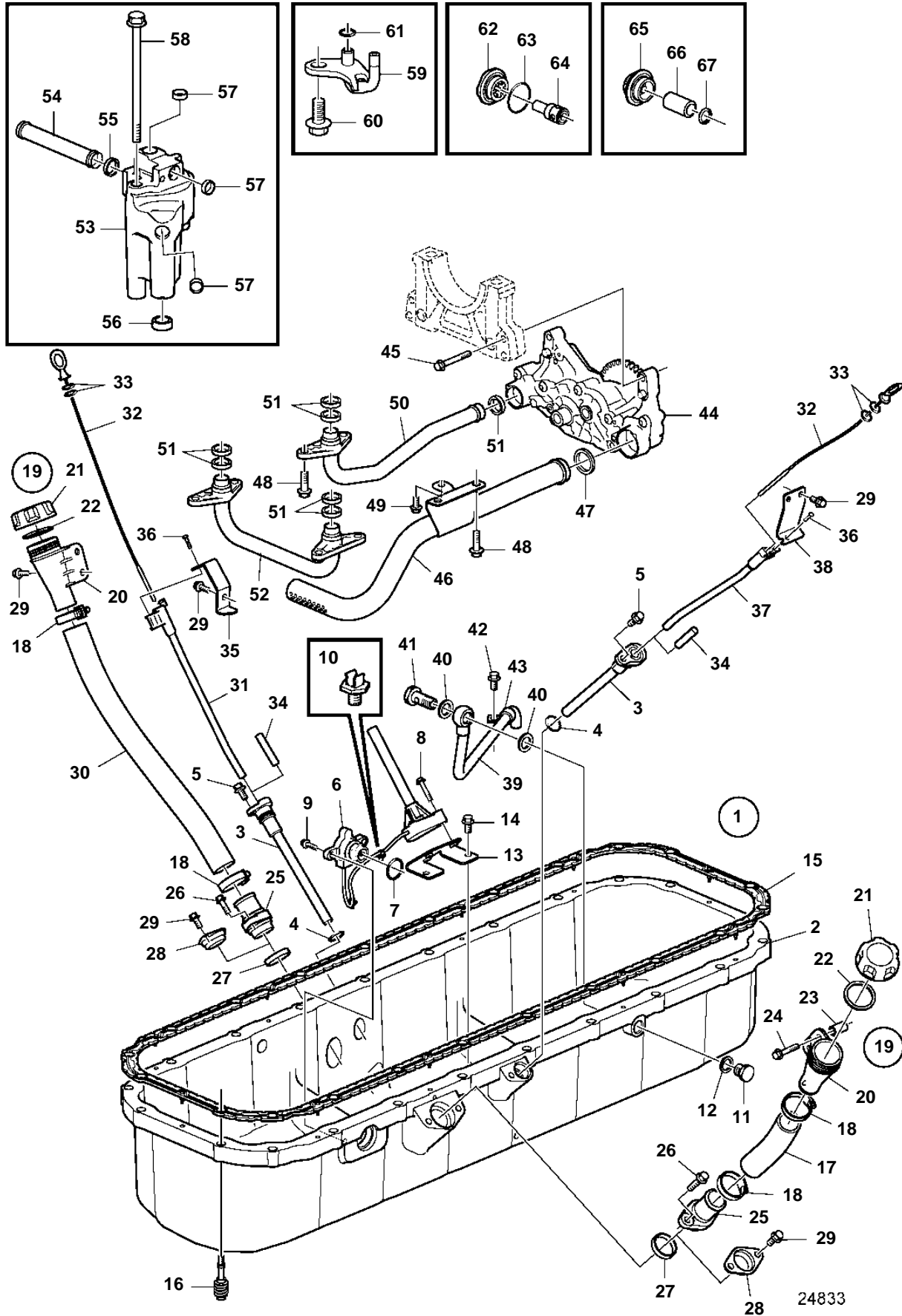


D13B-A MP



D13B-A MP

REF	PART NO.	QTY	DESCRIPTION	NOTES
1	3593504	1	Oil pan	
2		1	• Oil pan	
3	20724256	1	• Pipe	
4	949656	2	• • O-ring	
5	966378	1	• Flange screw	
6	21042447	1	• Oil level sensor	
7	990719	1	• • O-ring	
8	948356	3	• Flange screw	
9	946934	2	• Flange screw	
10	20700754	2	• Retainer	
11	982293	1	• Plug	
12	20883435	1	• Sealing ring	
13	21104728	1	• Bracket	
14	946440	3	• Flange screw	
15	20515881	1	Sealing strip	
16	20739547	22	Flange screw	
17	967833	X	Hose	For mounting on left side., L=210mm
18	993963	4	Hose clamp	
19	20808091	1	Oil filler pipe	
20		1	• Oil filler pipe	
21	20807510	1	• Oil filler cap	
22	20365079	1	• • Gasket	
23	852660	2	Spacer sleeve	
24	948217	2	Flange screw	
25	20462497	2	Connection pipe	
26	946173	4	Flange screw	
27	20555696	2	Sealing ring	
28	3964803	2	Plug	ALT
29	946440	9	Flange screw	
30	21364974	1	Hose	For mounting on right side.
31	21173620	1	Pipe	
32	3889663	1	Oil dipstick	
33	949187	2	• O-ring	
34	20533484	2	Plug	
35		1	Bracket	
36	975371	2	6 point socket screw	
37	21173620	1	Pipe	
38		1	Bracket	
39		1	Oil pipe	
40	20883435	2	Sealing ring	
41	190714	1	Hollow screw	
42	946440	1	Flange screw	
43		1	Clamp	
44	20824906	1	Oil pump	
45	965180	4	Flange screw	
46	3889667	1	Oil strainer	
47	20451487	1	Sealing ring	
48	946472	3	Flange screw	
49	946440	1	Flange screw	
50	20501240	1	Pressure pipe	
51	21092243	7	Sealing ring	
52	20498189	1	Pressure pipe	
53		1	Intermediate housing	
54	20591851	1	Outlet pipe	
55	1677370	1	Sealing ring	
56	20526428	1	Sealing ring	
57	955082	3	Cap plug	
58	969225	2	Flange screw	
59	3155151	6	Piston cooling jet	
60	966378	6	Flange screw	
61	955982	1	O-ring	
62	1547934	1	Cover	
63	948610	1	O-ring	

