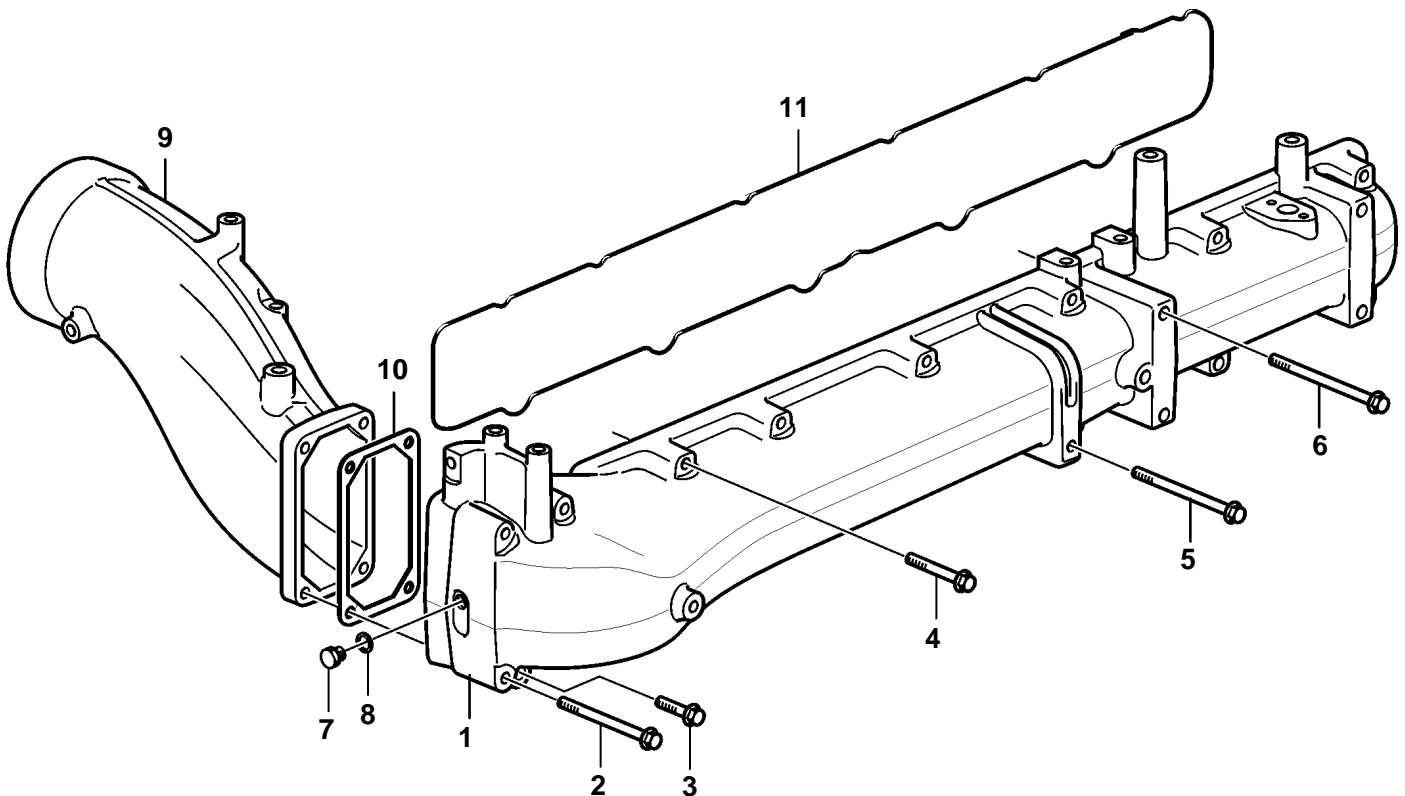
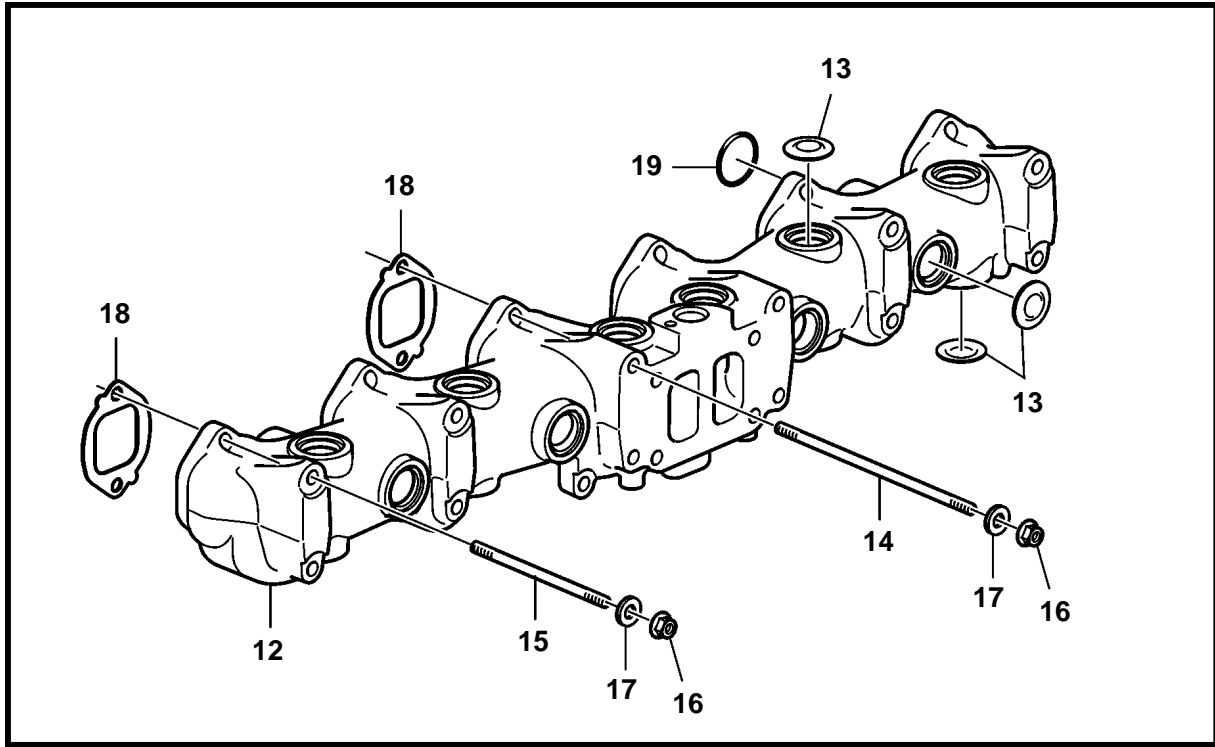


D13B-A MP



D13B-A MP

REF	PART NO.	QTY	DESCRIPTION
1		1	Inlet pipe
2	965184	4	Flange screw
3	965185	1	Flange screw
4	965180	12	Flange screw
5	946173	1	Flange screw
6	946441	4	Flange screw
7	960628	1	Plug
8	947281	1	Gasket
9	3889519	1	Charge air pipe
10	3979639	1	Gasket
11	20805850	1	Sealing
12		1	Exhaust manifold
13	968955	16	Expansion plug
14	993611	4	Stud
15	953007	8	Stud
16	1543499	12	Flange nut
17	941908	12	Spring washer
18	20543071	6	Gasket
19	1547253	2	Sealing ring