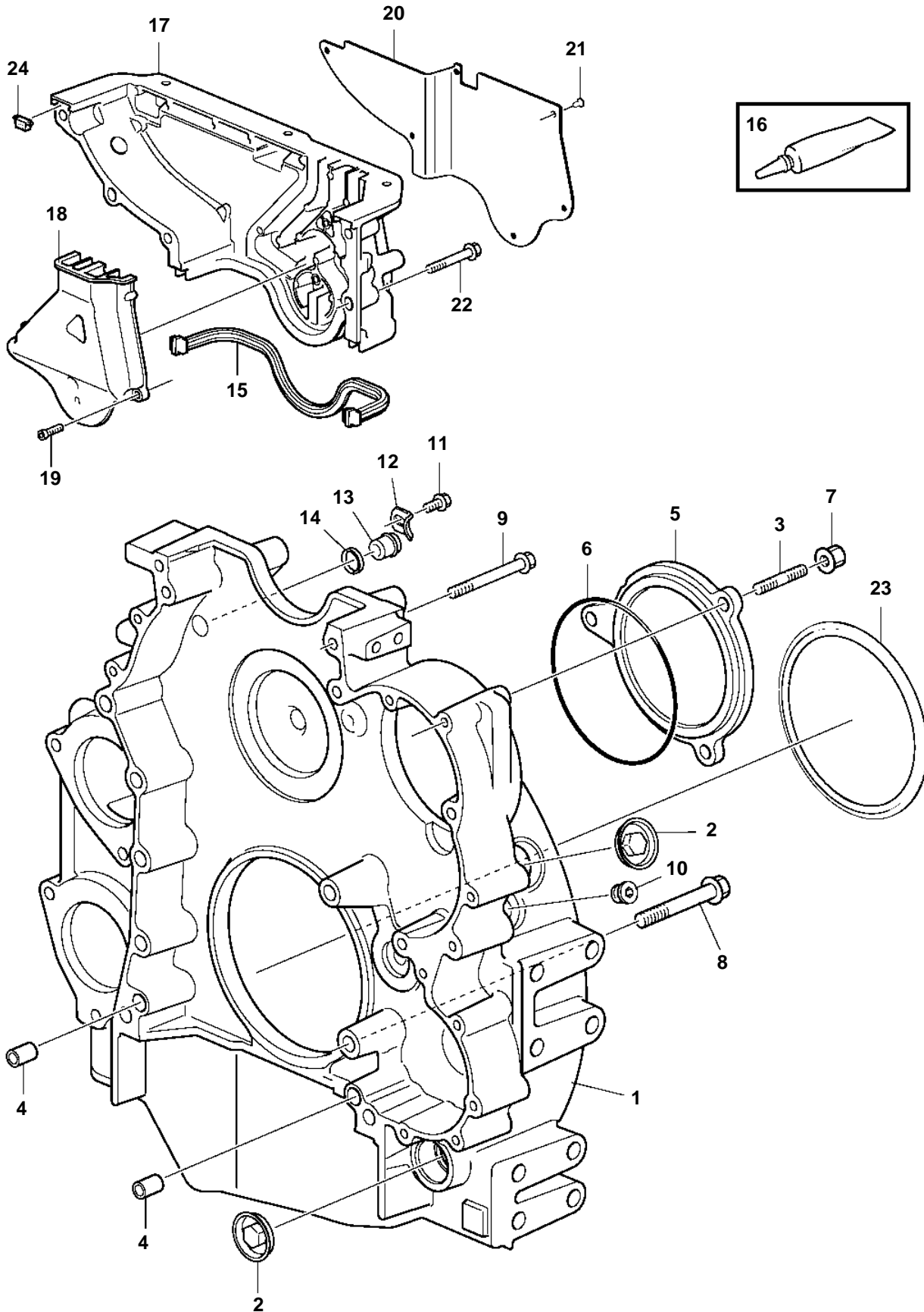


D13B-A MP



D13B-A MP

REF	PART NO.	QTY	DESCRIPTION	NOTES
1	21303198	1	Flywheel housing	
2	467367	2	· Plug	(467649)
3	924098	3	· Stud	
4		2	· Guide sleeve	
5	3887047	1	Cover	
6	992065	1	O-ring	
7	979230	3	Flange nut	
8	966367	9	Flange screw	
9	965190	4	Flange screw	
10		1	Plug	
11	946440	1	Flange screw	
12	20844430	1	Lock brace	
13		1	Plug	
14	1547255	1	Sealing ring	
15	20817742	1	Gasket	
16	1161277	X	Sealant	20g
	1161231	X	Sealant	304ml
17	20524643	1	Timing gear cover	
18		1	· Oil separator	
19	940326	4	· Hex. socket screw	
20		1	· Sound insulation	
21		5	· Rivet	
22	973924	5	Flange screw	
23	85108352	1	Sealing ring	
24	20572441	2	Gasket	