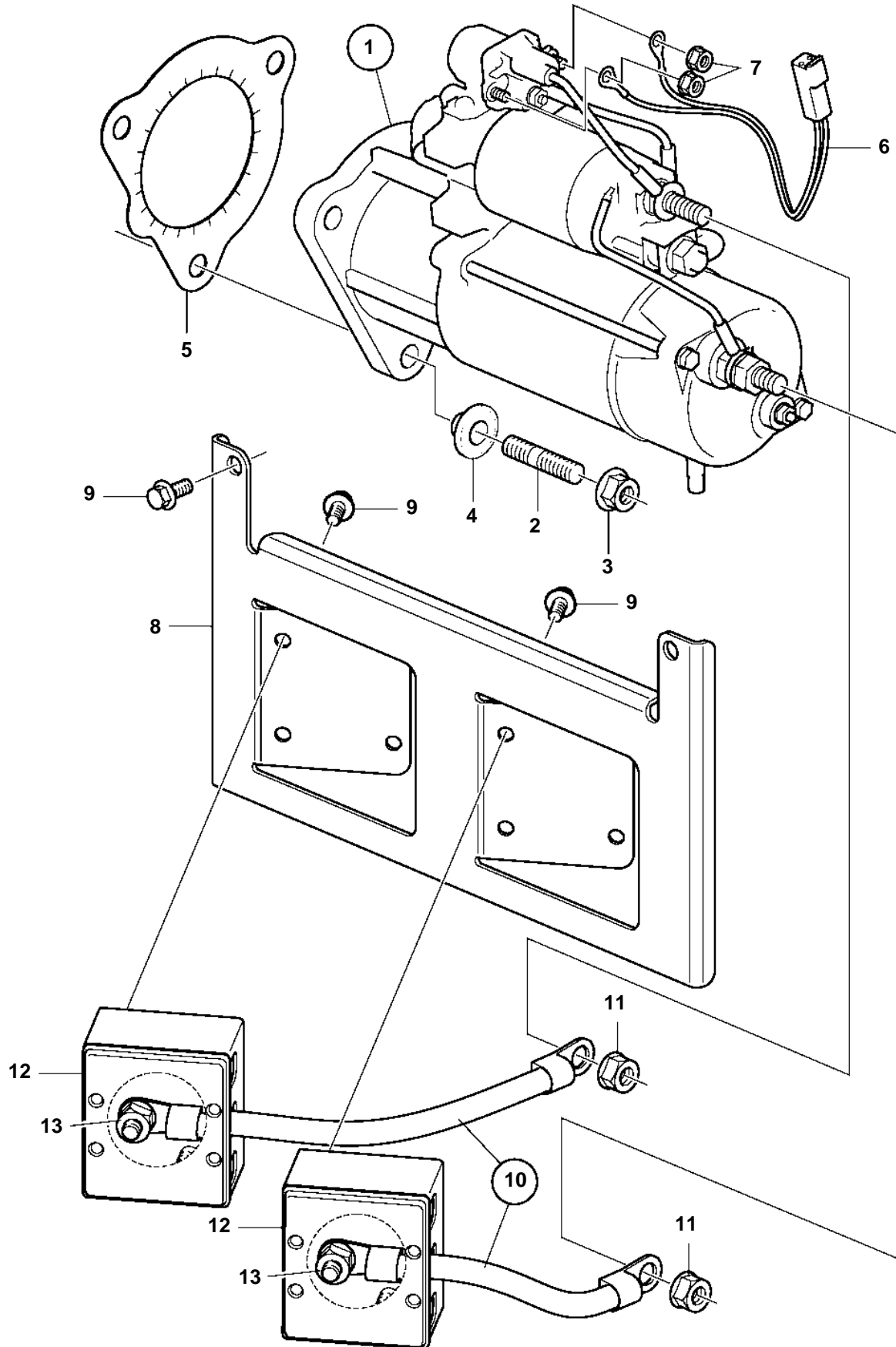


D13B-A MP



24888

D13B-A MP

REF	PART NO.	QTY	DESCRIPTION	NOTES
1	3801289	1	Starter motor, exch · Parts not sold separately	24V
2	953098	3	Stud	
3	971096	3	Flange nut	
4	21308514	3	Insulating bushing	
5	21308519	1	Gasket	
6	21121115	1	Connection wire	
7	983714	2	Hexagon nut	
8	21184836	1	Bracket	
9	946440	10	Flange screw	
10	21100733	1	Cable kit, kit	
11	983717	2	Hexagon nut	
12	3885093	2	Junction box	
13	983716	2	Hexagon nut	