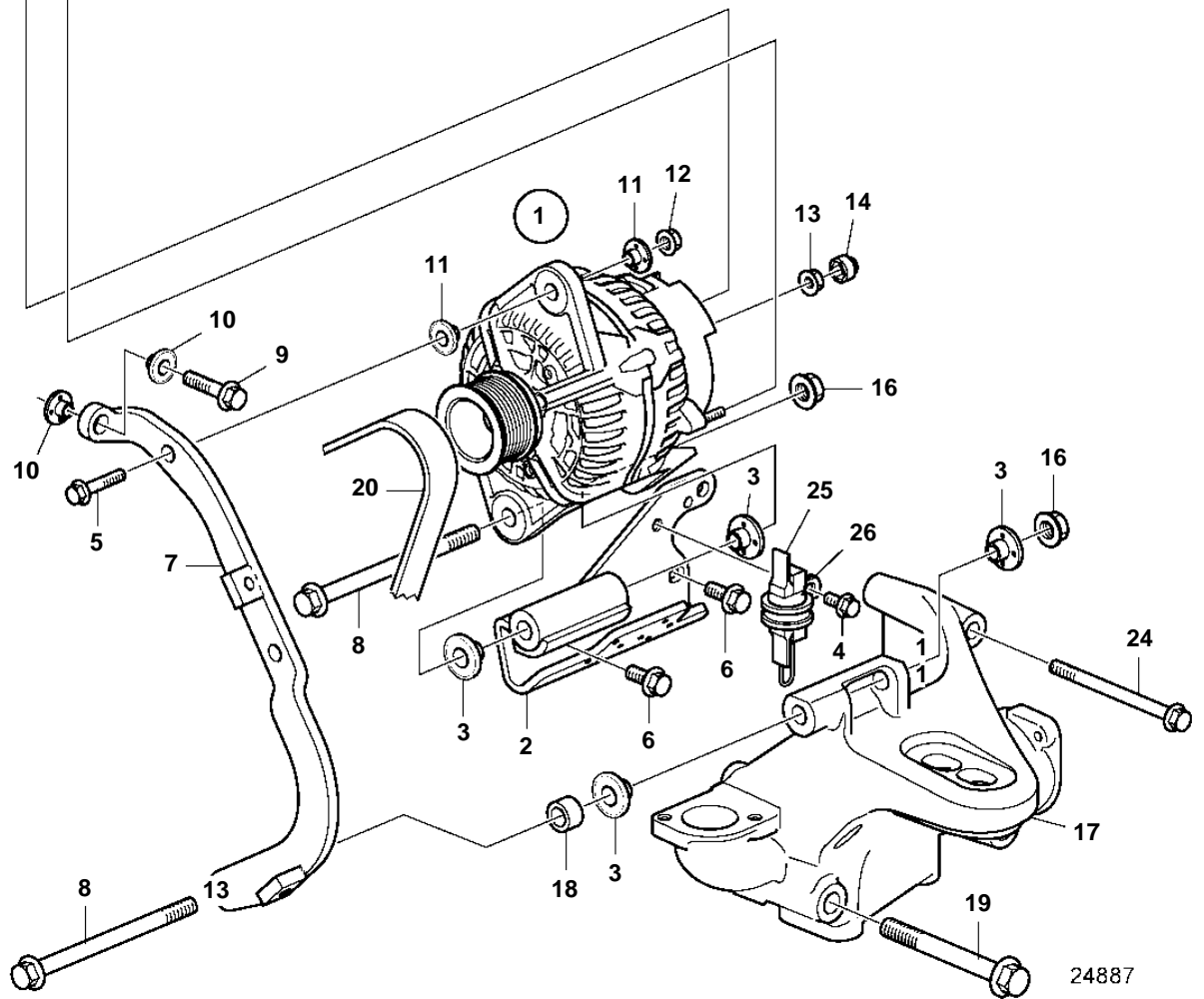
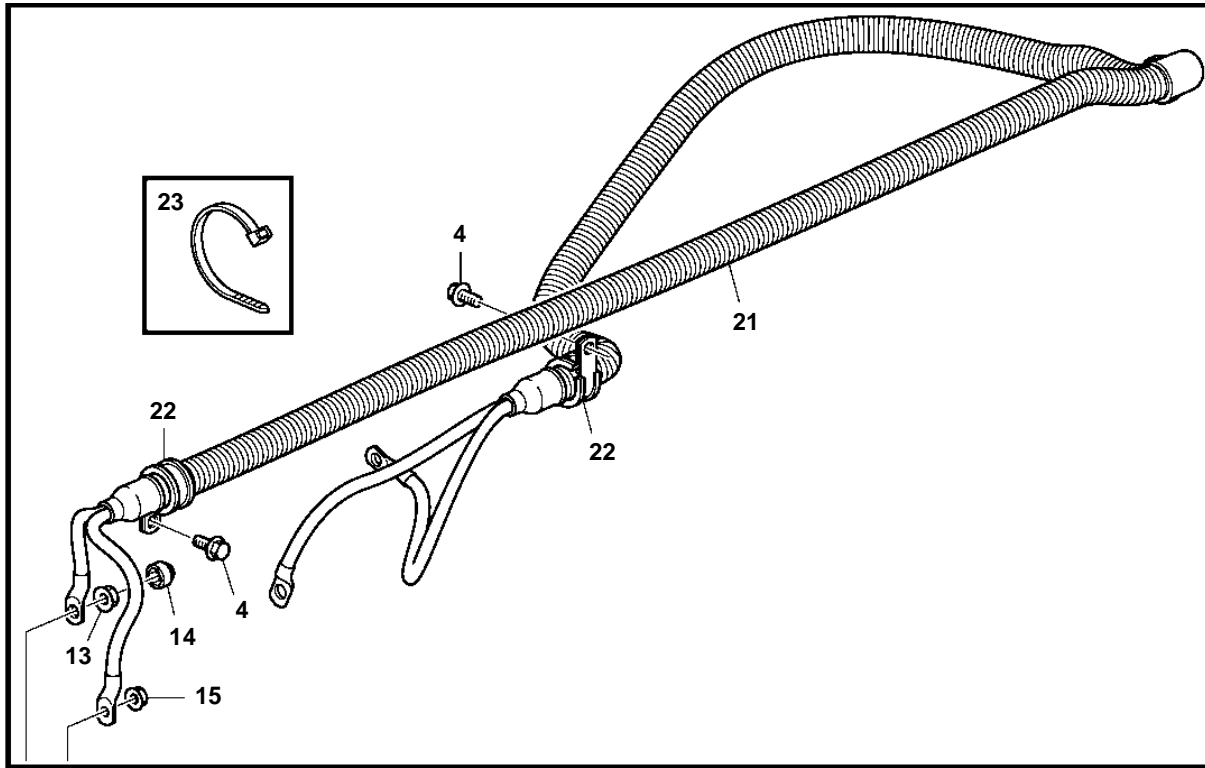


D13B-A MP



D13B-A MP

| REF | PART NO. | QTY | DESCRIPTION                                     | NOTES    |
|-----|----------|-----|---|----------|
| 1   | 3803640  | 1   | Alternator, exch<br>· Parts not sold separately | 28V 110A |
| 2   |          | 1   | Alternator bracket                              |          |
| 3   | 21308514 | 4   | Insulating bushing                              |          |
| 4   | 946441   | 3   | Flange screw                                    |          |
| 5   | 947760   | 2   | Flange screw                                    |          |
| 6   | 946440   | 2   | Flange screw                                    |          |
| 7   | 3888085  | 1   | Alternator bracket                              |          |
| 8   | 979935   | 2   | Flange screw                                    |          |
| 9   | 965185   | 1   | Flange screw                                    |          |
| 10  | 21308512 | 2   | Insulating bushing                              |          |
| 11  | 21328137 | 2   | Insulating bushing                              |          |
| 12  | 948645   | 1   | Flange lock nut                                 |          |
| 13  | 983715   | 2   | Hexagon nut                                     |          |
| 14  | 20576874 | 2   | Cap plug  |          |
| 15  | 983714   | 1   | Hexagon nut                                     |          |
| 16  | 971099   | 2   | Flange lock nut                                 |          |
| 17  |          | 1   | Engine bracket                                  |          |
| 18  | 1678297  | 1   | Spacer sleeve                                   |          |
| 19  | 968902   | 4   | Flange screw                                    |          |
| 20  | 20430615 | 1   | V-ribbed belt                                   |          |
| 21  | 21100789 | 1   | Wiring harness                                  |          |
| 22  | 947827   | 2   | Clamp   |          |
| 23  | 948211   | X   | Cable tie                                       |          |
| 24  |          | 1   | Flange screw                                    |          |
| 25  | 21216813 | 1   | Diode unit                                      |          |
| 26  | 949379   | 1   | Clamp   |          |