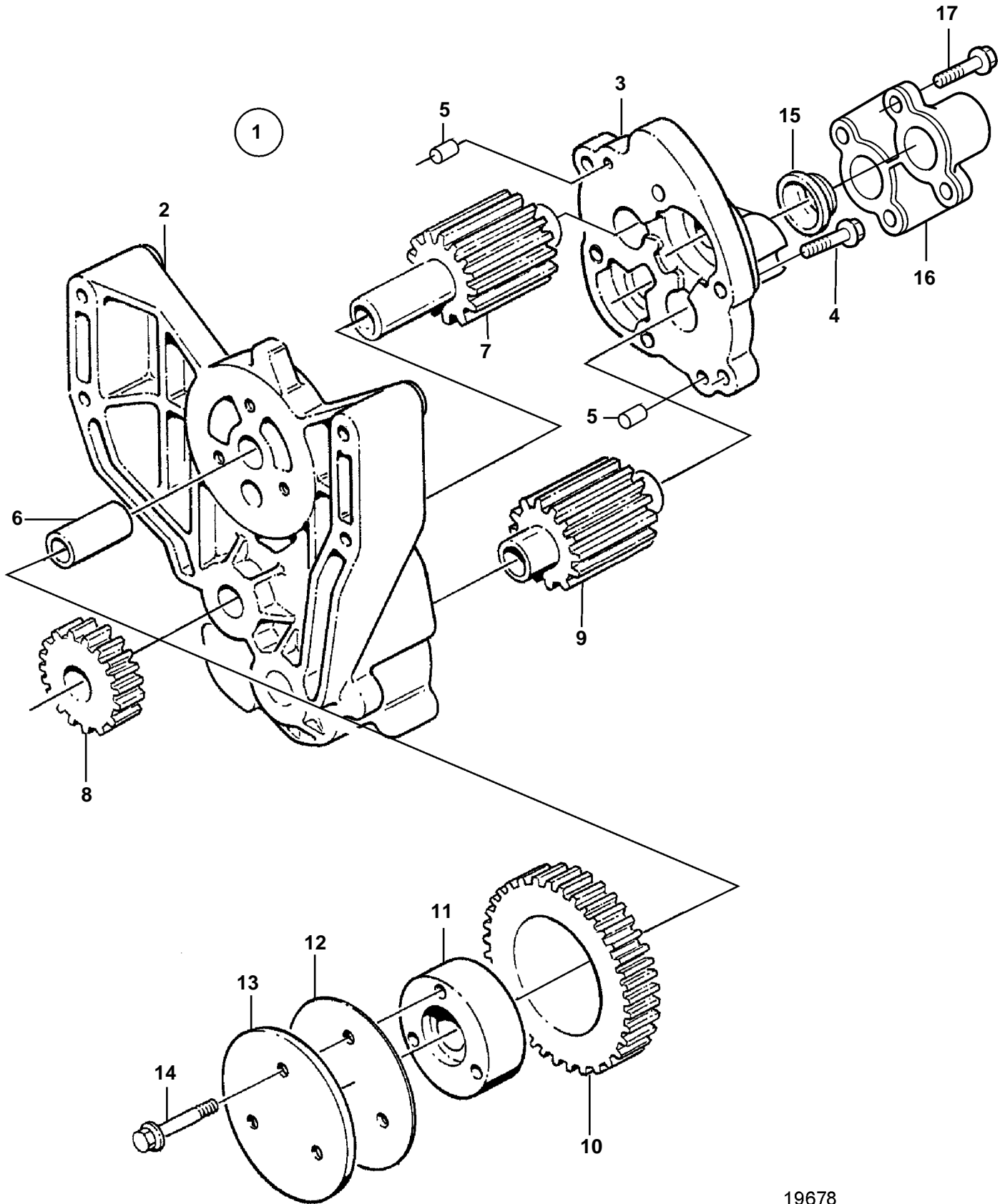


D12D-A MG, D12D-B MG



19678

D12D-A MG, D12D-B MG

| REF | PART NO. | QTY | DESCRIPTION | NOTES |
|-----|----------|-----|--------------------|-----------|
| 1 | 8170261 | 1 | Oil pump | (3165222) |
| 2 | | 1 | · Oil pump housing | |
| 3 | | 1 | · Cover | |
| 4 | 965180 | 2 | · Flange screw | |
| 5 | 422426 | 2 | · Pin | |
| 6 | | 1 | · Pin | |
| 7 | | 1 | · Shaft, with gear | |
| 8 | | 1 | · Gear | |
| 9 | | 1 | · Shaft, with gear | |
| 10 | | 1 | · Idler gear | |
| 11 | | 1 | · Hub | |
| 12 | | 1 | · Bearing shield | |
| 13 | | 1 | · Thrust washer | |
| 14 | 948217 | 3 | · Flange screw | |
| 15 | 465784 | 1 | · Sealing ring | |
| 16 | 3979001 | 1 | · Connection plate | |
| 17 | 965180 | 2 | · Flange screw | |