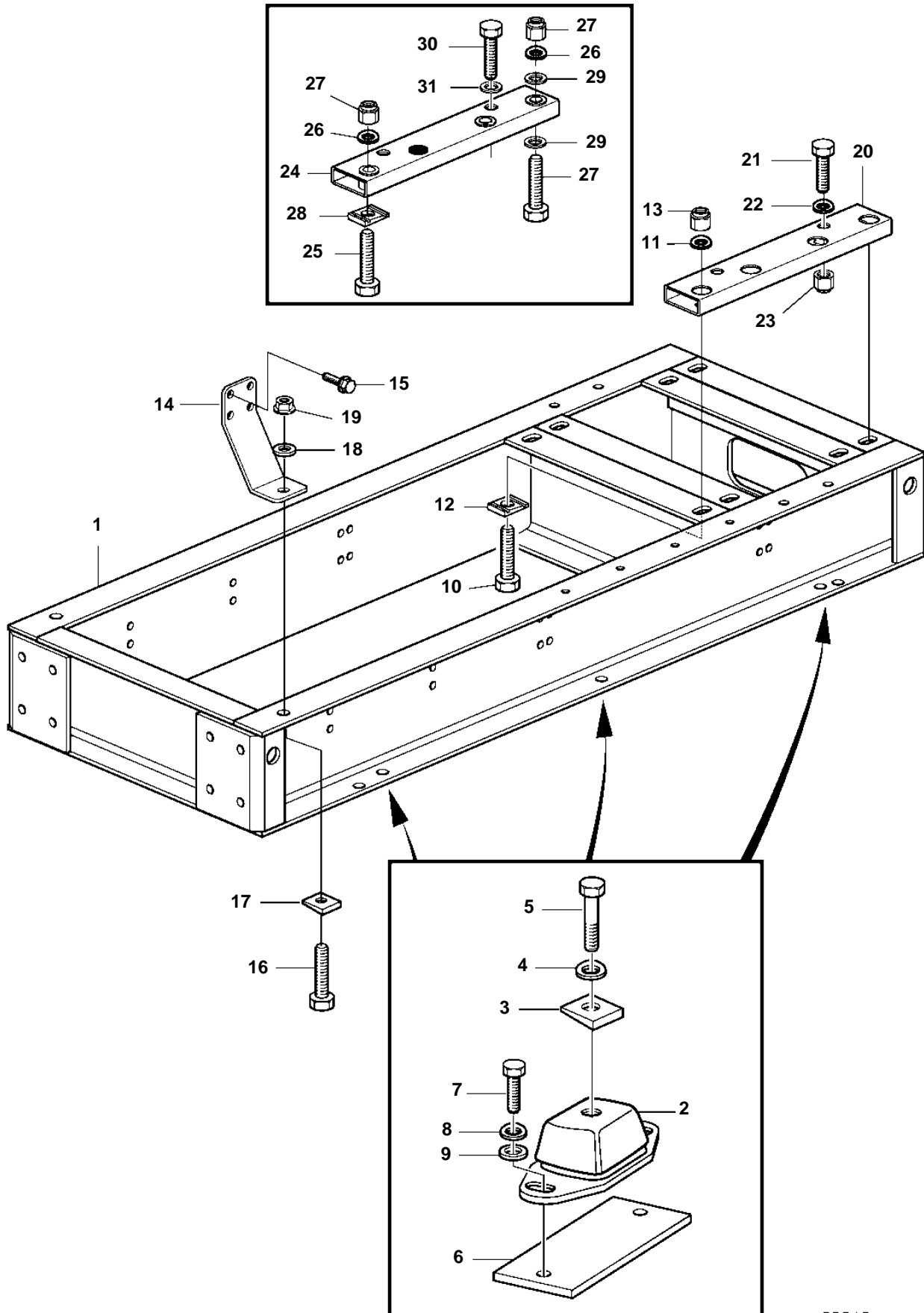


D12D-A MG, D12D-E MG



20018

**D12D-A MG, D12D-E MG**

REF	PART NO.	QTY	DESCRIPTION	NOTES
1		1	Frame	
2	862347	6	Rubber cushion	
3	18683	6	U-member washer	
4	941914	6	Spring washer	
5	955387	6	Hexagon screw	
6		6	Weld plate	
7	955361	12	Hexagon screw	
8	941912	12	Spring washer	
9	955900	12	Washer	
10	955774	4	Hexagon screw	
11	941917	4	Spring washer	
12	191810	2	Washer	
13	950381	4	Lock nut	
14	3831477	2	Engine mountings	
15	968435	8	Flange screw	
16	955390	2	Hexagon screw	
17	18683	2	U-member washer	
18	941914	2	Spring washer	
19	963111	2	Lock nut	
20		2	Frame	ALT
21	955774	4	Hexagon screw	
22	941917	4	Spring washer	
23	950381	4	Lock nut	
24		2	Frame	ALT, LATE TYPE
25		4	Hexagon screw	
26	941914	4	Spring washer	
27		4	Lock nut	
28	966183	2	U-member washer	
29		4	Washer	
30	955390	4	Hexagon screw	
31	955903	4	Washer	