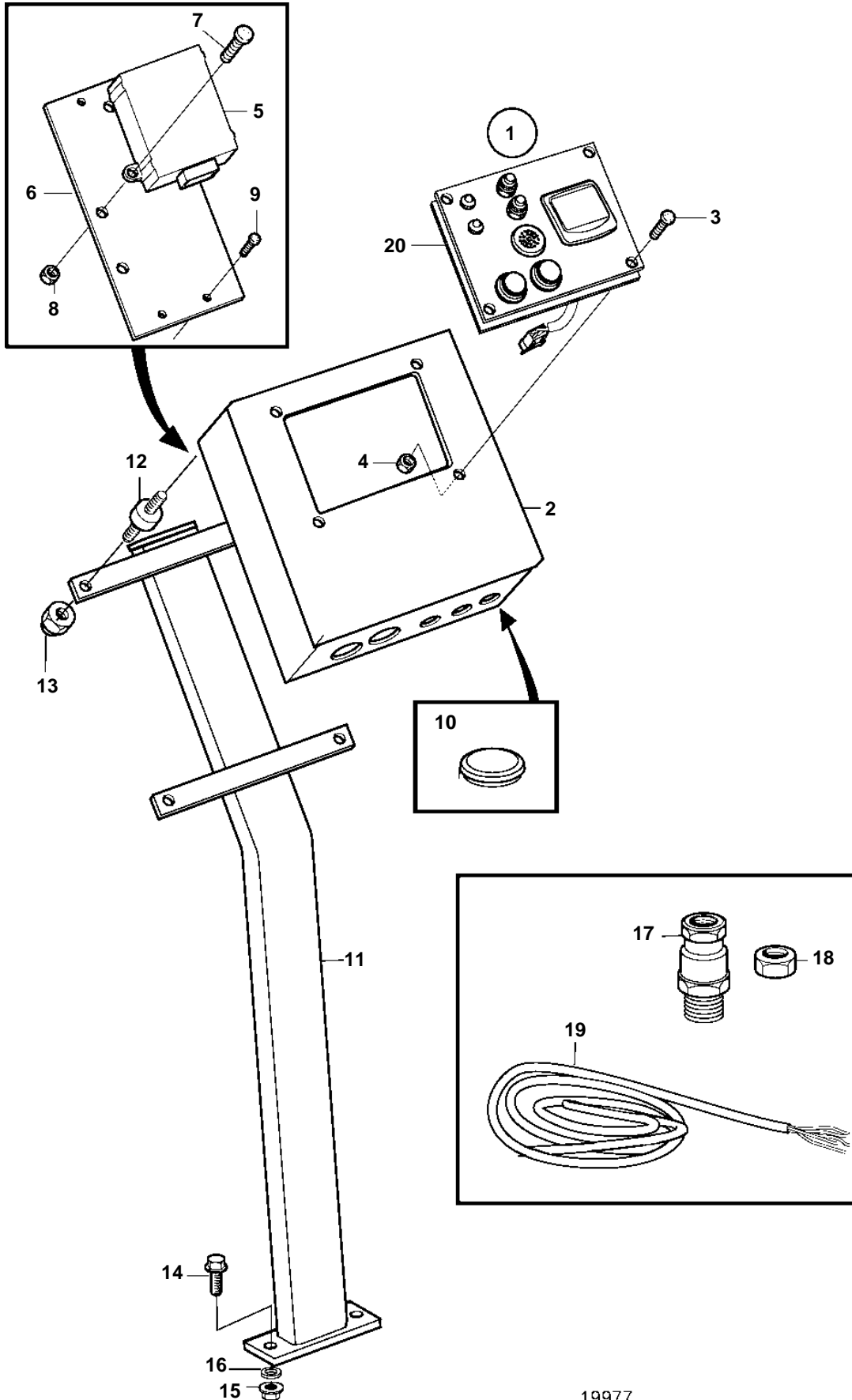


D12D-A MG, D12D-E MG



D12D-A MG, D12D-E MG

REF	PART NO.	QTY	DESCRIPTION	SEE SEC.	NOTES
1	881992	1	Control panel		
				6694	
	881993	1	Control panel		
				6695	
	881960	1	Control panel		
				6696	
2	3830520	1	Box		
3	956153	4	Cross recessed screw		
4	966650	4	Lock nut		
5	874239	1	Control unit		(3587921)
6	3839555	1	Bracket		
7	946934	3	Flange screw		
8	945407	3	Flange nut		
9		4	Screw		
10	941268	3	Plug		D=20mm
	943920	1	Plug		D=40mm
	662620	1	Rubber button		D=28mm
11		1	Bracket		
12	863415	4	Rubber cushion		
13	948645	4	Flange lock nut		
14	965193	2	Flange screw		
15	971099	2	Flange lock nut		
16		2	U-member washer		
17	822327	2	Cable union		
18	880243	2	Nut		
19	874896	X	Control cable		4-POLE
	874869	X	Power cable		16-POLE
20	3586655	1	Gasket		