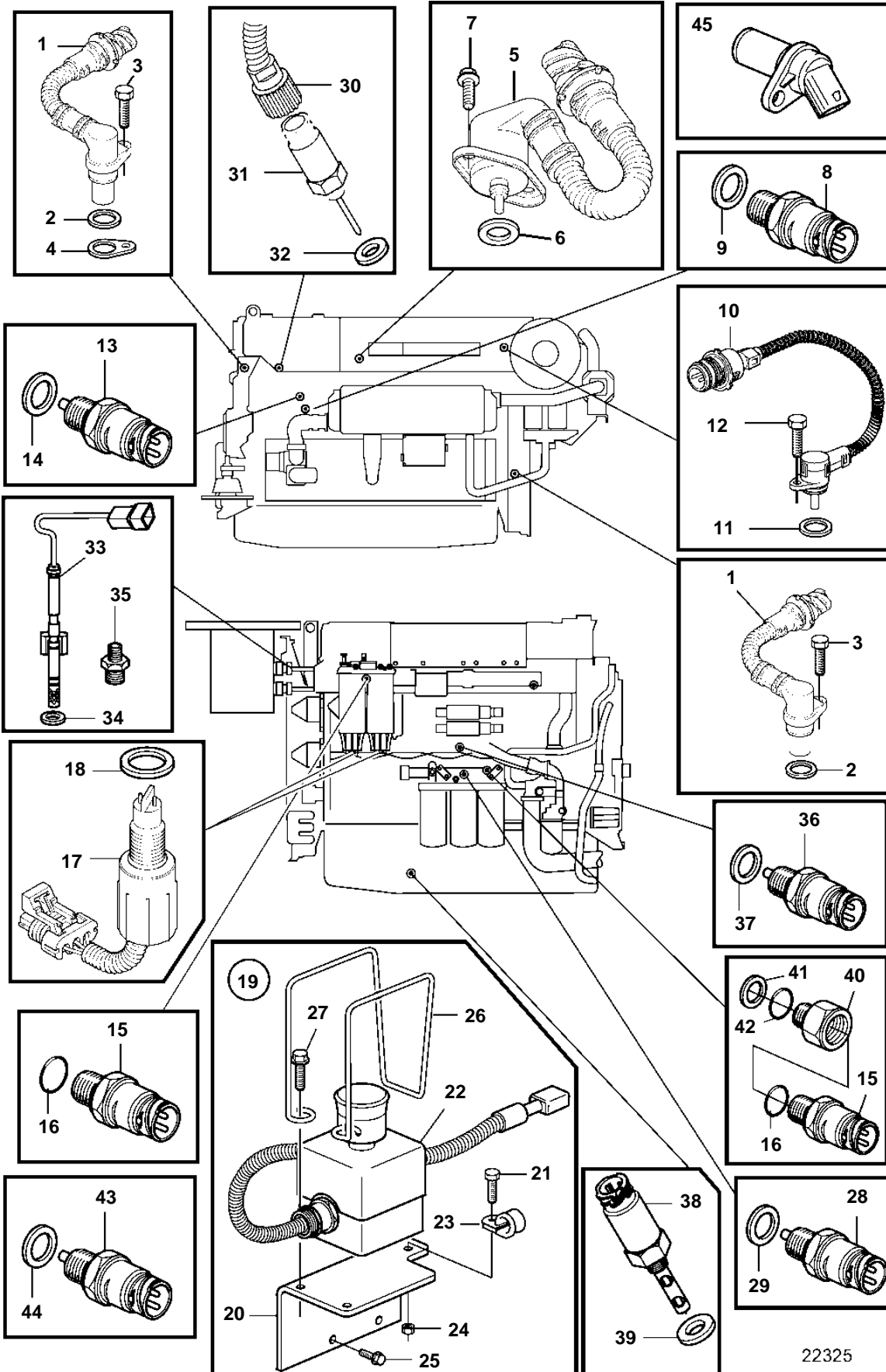


D12D-A MG, D12D-E MG



22325

D12D-A MG, D12D-E MG

REF	PART NO.	QTY	DESCRIPTION	NOTES
1	3172774	1	Tachometer sensor, camshaft/flywheel	
2	974673	1	O-ring	
3	940326	1	Hex. socket screw	
4	1677894	1	Shim	TH=0,6mm
5	20909613	1	Sensor, charge air pressure/temp	(3172524)
6	975632	1	· O-ring	
7	946544	2	Flange screw	
8	20796744	1	Pressure sensor, crankcase pressure	(20499340)
9	968559	1	· O-ring	
10	20576626	1	Sensor, coolant water	
11	949656	1	· O-ring	
12	946440	1	Flange screw	
13	1077574	1	Sensor, oil pressure/temperature	
14	968559	1	· O-ring	
15	20886108	1	Pressure sensor, fuel	(20484678), Replaced by 20898038
	21302639	1	Pressure sensor, fuel	
16	968559	1	· O-ring	
17	3588916	1	Alarm kit, water in fuel filter	(874109), EARLY TYPE
	3885070	1	Sensor, water in fuel filter	LATE TYPE
18	3831094	1	O-ring	
19	3588154	1	Emergency stop	
20		1	· Bracket	
21	946440	1	· Flange screw	
22	3588180	1	· Stop button	
23	942542	1	· Clamp	
24	945408	3	· Flange nut	
25	946441	2	Flange screw	
26	3838198	1	Protecting brace	
27	946173	2	Flange screw	
28	874673	1	Pressure switch, piston cooling	Replaced by 21202753.
	21202753	1	Pressure switch	
29	968559	1	O-ring	
30	3808721	1	Cable kit	
31	874327	1	Level guard	
32	948884	1	Gasket	
33	874330	1	Temperature sensor, exhaust	
34	947626	1	Gasket	
35	874318	1	Fitting	
36	3808805	1	Pressure sensor, coolant water	(874329)
37	11998	1	Gasket	
38	874328	1	Level guard, oil	
39	11998	1	Gasket	
40	3835956	1	Nipple	
41	947627	1	Gasket	
42	976030	1	O-ring	
43	874313	1	Sensor, oil pressure-reverse gear	ALT
44	976931	1	Gasket	
45	20513343	1	Sensor, reverse gear	