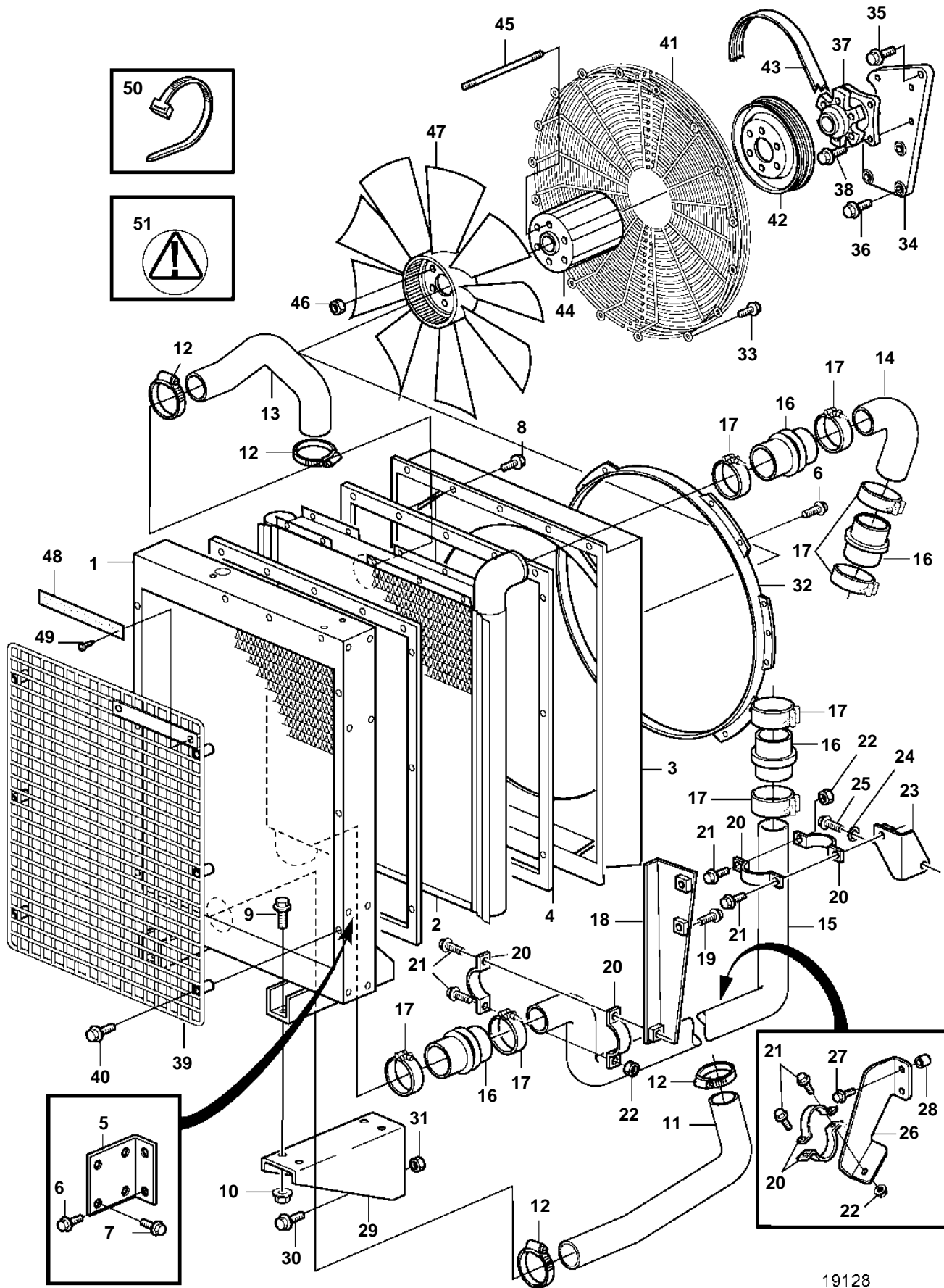


D12D-A MG, D12D-E MG



19128

D12D-A MG, D12D-E MG

REF	PART NO.	QTY	DESCRIPTION	NOTES
1	3843761	1	Radiator	(888301)
2	3827870	1	Intercooler	
3	3826684	1	Fan shroud	
4	3827816	2	Sealing strip	
5	3831142	4	Attaching bracket	
6		4	Screw	
7		8	Screw	
8	967949	20	Flange screw	
9	965191	8	Flange screw	
10	971099	8	Flange lock nut	
11	3827265	1	Radiator hose	
12	943480	4	Hose clamp	
13	3827266	1	Radiator hose	
14	3826673	1	Charge air pipe	
15	3838689	1	Charge air pipe	
16	865127	4	Charge air hose	
17	865575	8	Hose clamp	
18	3835837	1	Bracket	
19	947760	2	Flange screw	
20	1674206	6	Attaching clamp	
21	946671	6	Flange screw	
22	945408	3	Flange nut	
23	3835507	1	Bracket	
24	941912	1	Spring washer	
25	955361	1	Hexagon screw	
26		1	Bracket	
27	946671	2	Flange screw	
28	843075	2	Spacer sleeve	Used when oil collecting tray not is mounted.
29	3831478	2	Bracket	
30	968435	8	Flange screw	
31	946673	8	Flange lock nut	
32	3827612	1	Fan ring	
33	946173	12	Flange screw	
34	3826687	1	Bracket	
35	973098	1	Flange screw	
36	965188	4	Flange screw	
37	3828804	1	Bearing housing	
38	946752	4	Flange screw	
39	3827871	1	Radiator protector	
40	948217	6	Flange screw	
41	3825490	2	Fan guard	
42	3829958	1	Pulley	
43	981021	1	V-ribbed belt	
44	3829536	1	Fan hub	
45	948932	6	Stud	
46	971098	6	Flange lock nut	
47	3828964	1	Fan	
48	846118	1	Emblem	
49	941651	2	Screw	
50	948211	X	Cable tie	
51	3817024	1	Decal	