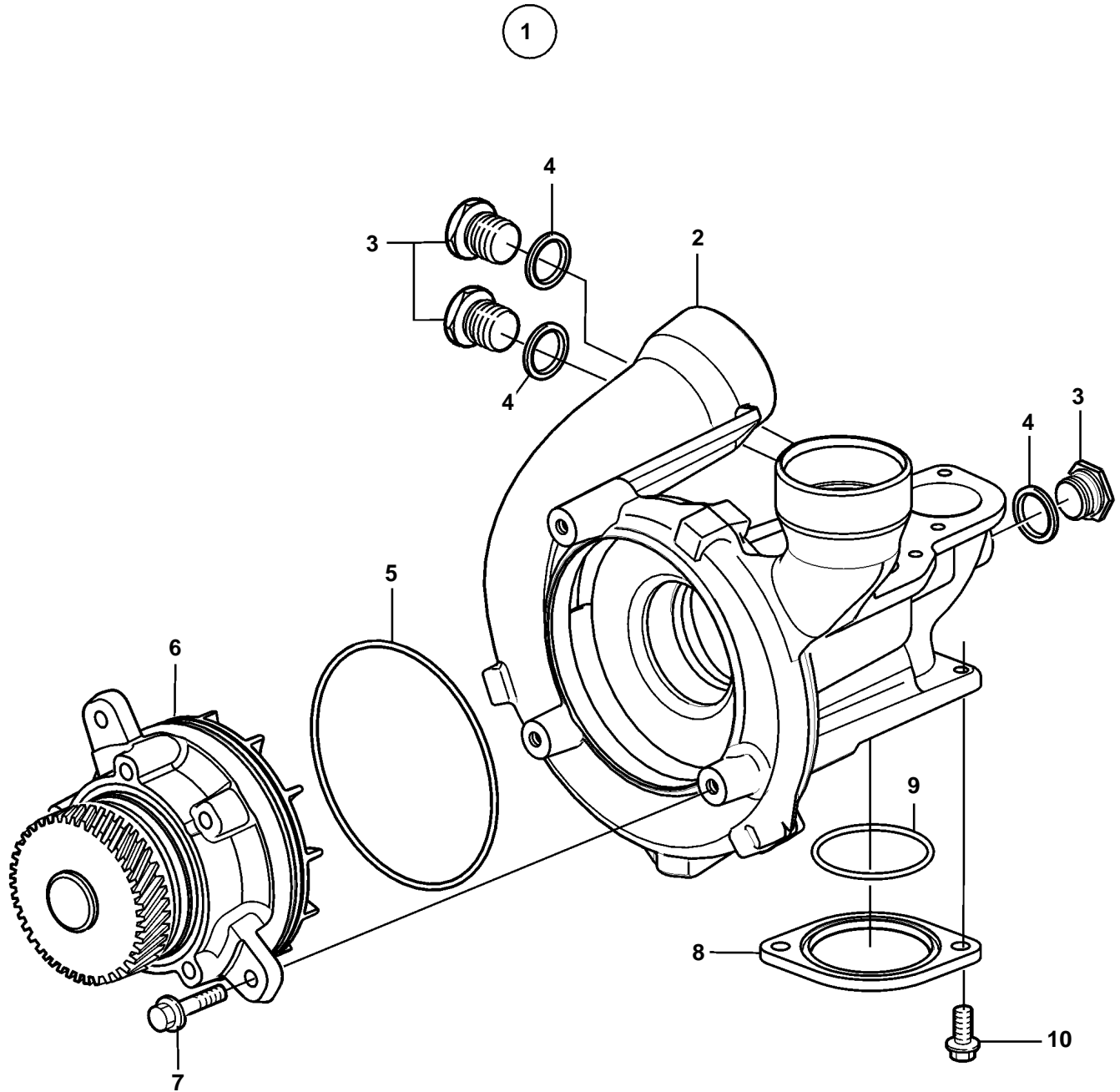


D12D-A MG



D12D-A MG

| REF | PART NO. | QTY | DESCRIPTION | NOTES |
|-----|----------|-----|----------------------|--|
| 1 | | 1 | Water pump | |
| 2 | 3826608 | 1 | · Coolant pump | |
| 3 | 914392 | 3 | · Plug | |
| 4 | 943908 | 3 | · Gasket | |
| 5 | 975687 | 1 | · O-ring | |
| 6 | 20431135 | 1 | · Bearing housing | (8170833) E.U=3803567, REPL BY 3803909 |
| | 3803909 | 1 | · Coolant pump, exch | (20431135) |
| 7 | 946173 | 3 | · Flange screw | |
| 8 | 3827303 | 1 | Cardboard tube | |
| 9 | 925255 | 1 | O-ring | |
| 10 | 946173 | 2 | Flange screw | |