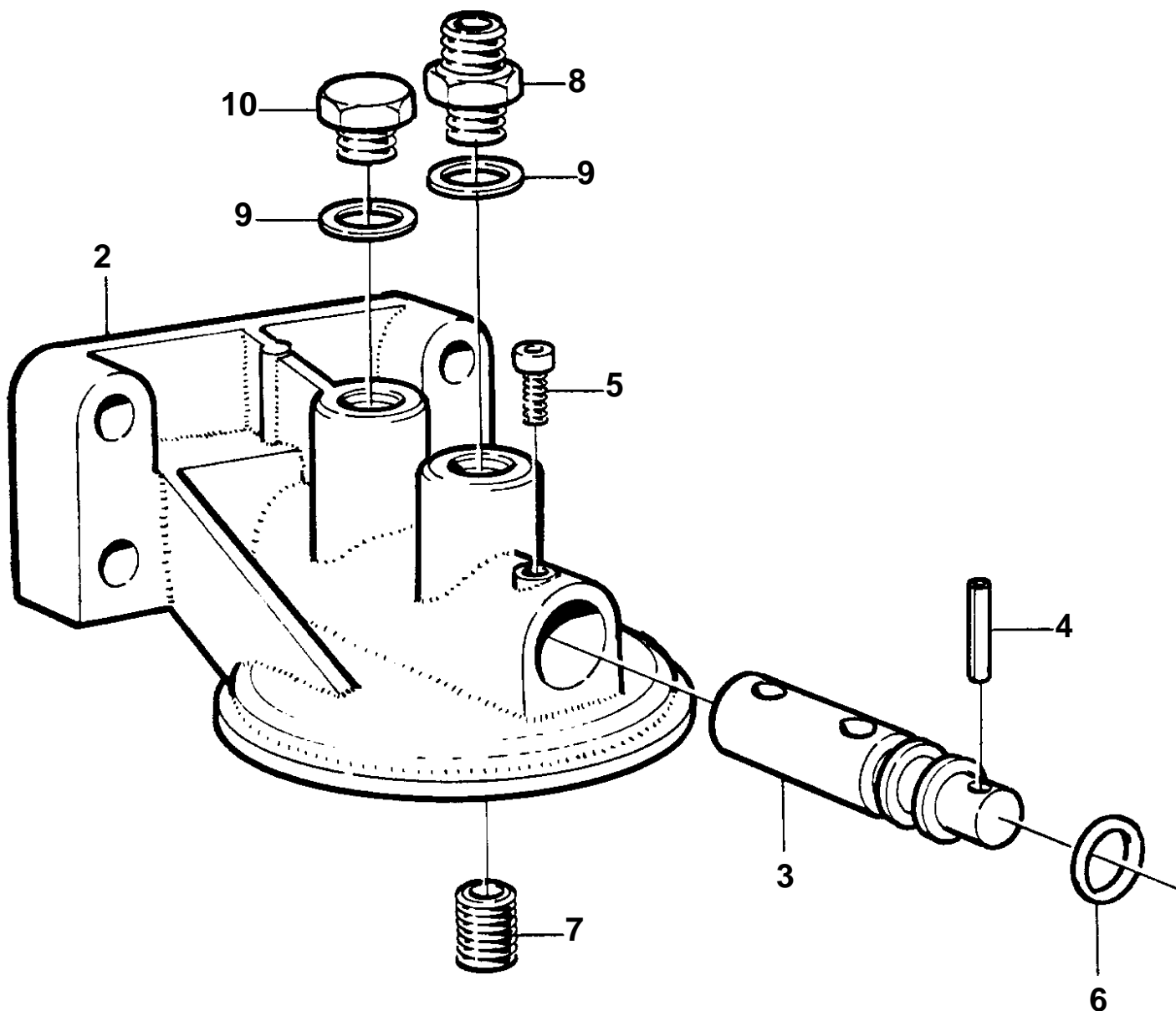


D12D-A MG, D12D-E MG

1



8926

**D12D-A MG, D12D-E MG**

REF	PART NO.	QTY	DESCRIPTION	NOTES
1	1661685	1	Bracket	REPL BY 20459650
	20459650	1	Bracket	
2		1	· Housing	
3	1661686	1	· Spindle	
4	951968	1	· Spring pin	
5	961236	1	· Hex. socket screw	
6	968725	1	· O-ring	
7	1676554	1	· Nipple	
8	941754	1	· Nipple	
9	957178	2	· Gasket	
10	960630	1	· Plug	