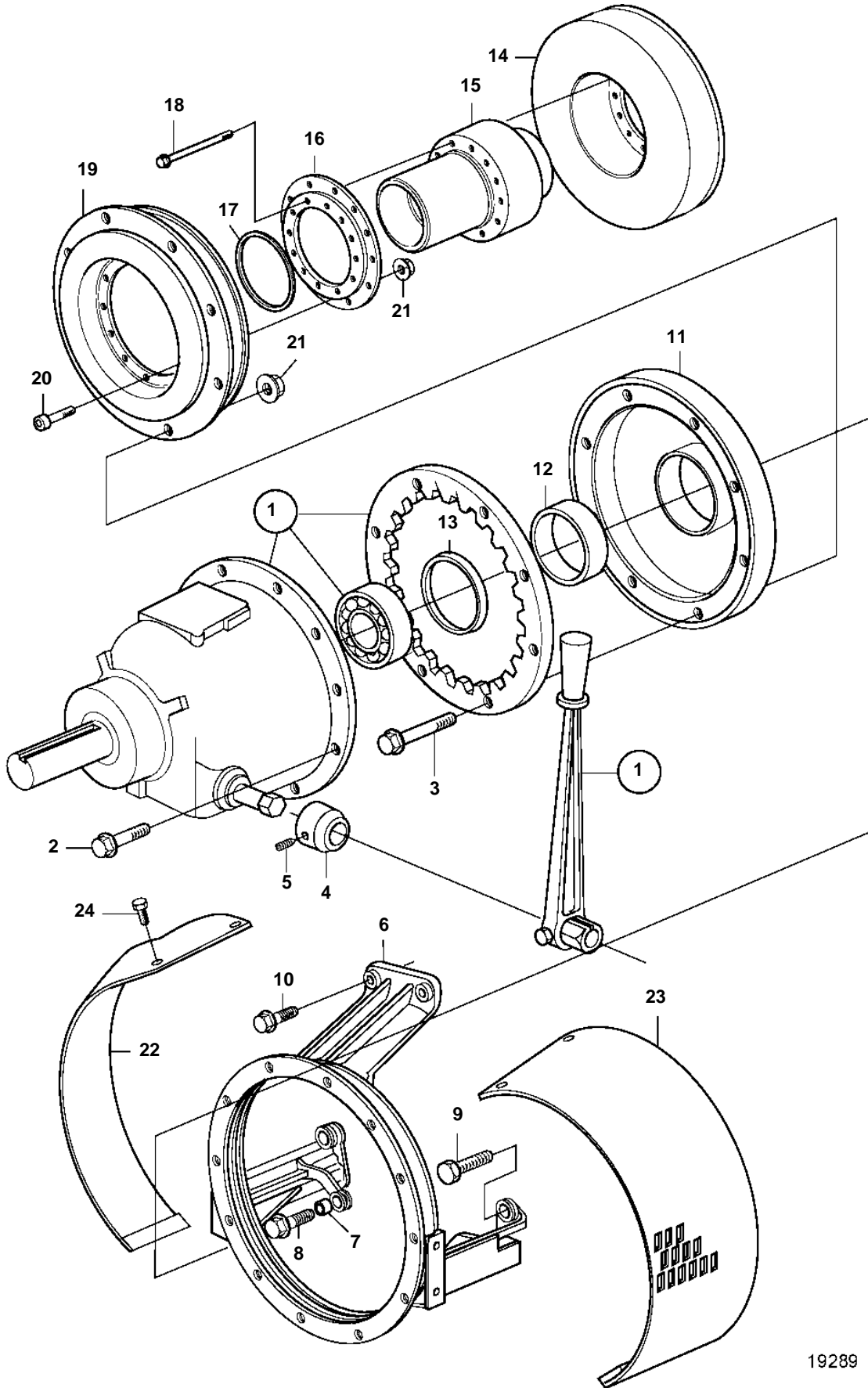


D12D-A MG



19289

D12D-A MG

REF	PART NO.	QTY	DESCRIPTION	SEE SEC.	NOTES
1	845705	1	Clutch, straight stub shaft		SP 211 HP3
				2446	
2	946329	12	Flange screw		
3	968237	8	Flange screw		
4	803612	2	Stop ring		
5	946847	4	Set screw		
6	3826646	1	Bell housing		
7	977799	2	Spacer sleeve		
8	965185	2	Flange screw		
9	968902	4	Flange screw		
10	965220	2	Flange screw		
11	3825588	1	Companion flange		
12	863602	1	Bearing bushing		
13	965872	2	Sealing ring		
14	8193930	2	Vibration damper		
15	3825589	1	Shaft		
16	3825587	1	Spacer		
17	965872	1	Sealing ring		
18	963261	10	Hexagon screw		
19	3825593	1	Clutch		
20	959236	16	Hex. socket screw		
21	971098	24	Flange lock nut		
22	3832352	1	Protecting plate		SB
23	3832353	1	Protecting plate		P
24	967949	8	Flange screw		