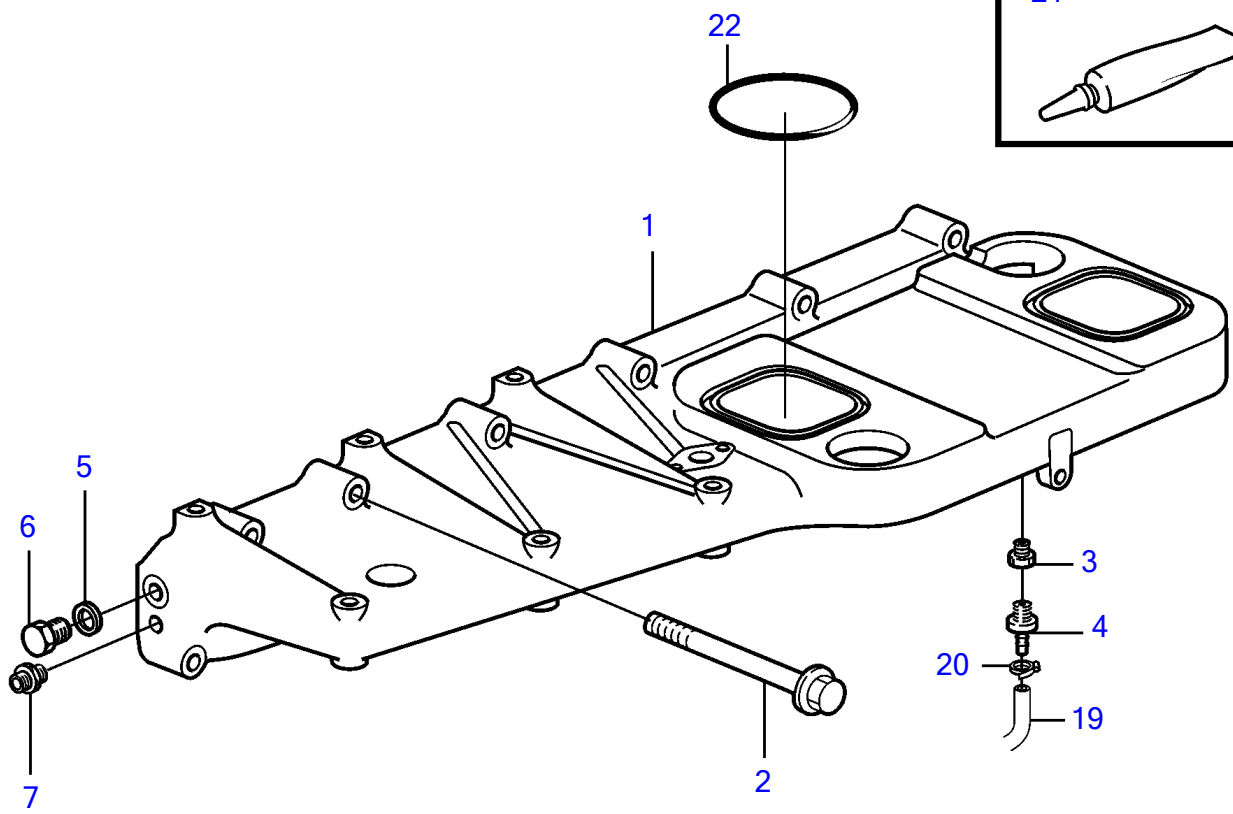
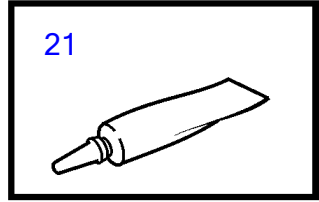
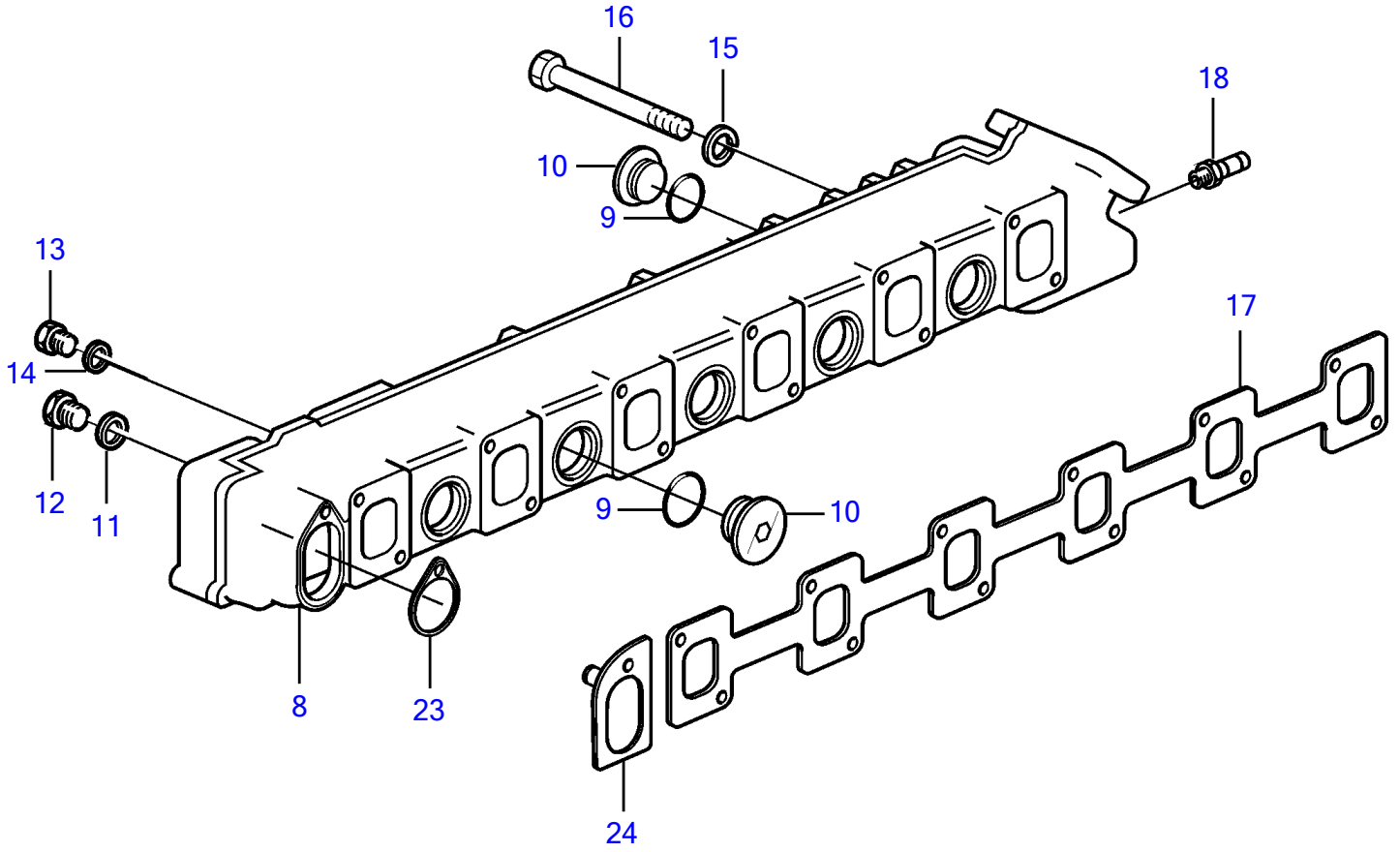


D12D-A MG



D12D-A MG

REF	PART NO.	QTY	DESCRIPTION	NOTES
1	3827639	1	Inlet pipe	
2	965180	12	Flange screw	
3	862109	1	Nipple	
4	180003	1	Nipple	
5	907132	1	Gasket	
6	960628	1	Plug	
7	954378	1	Nipple, turbo pressure sender	
8	3838864	1	Exhaust pipe	
9	469328	13	• Gasket	
10	467367	13	• Plug	
11	943908	3	• Gasket	
12	914392	3	• Plug	
13	960632	1	• Plug	
14	11998	1	• Gasket	
15	941908	12	Spring washer	
16	963261	12	Hexagon screw	L=160mm
	981377	4	Flange screw, bracket oil filter	L=165mm
17	3838953	1	Gasket	
18	949918	1	Shut-off cock	
19	942700	X	Hose	L=600mm
20	961662	1	Hose clamp	
21	1161231	X	Sealant	304ml
	1161277	X	Sealant	10g
22	976063	2	O-ring	
23	3838342	1	Gasket	
24	3884762	1	Gasket	