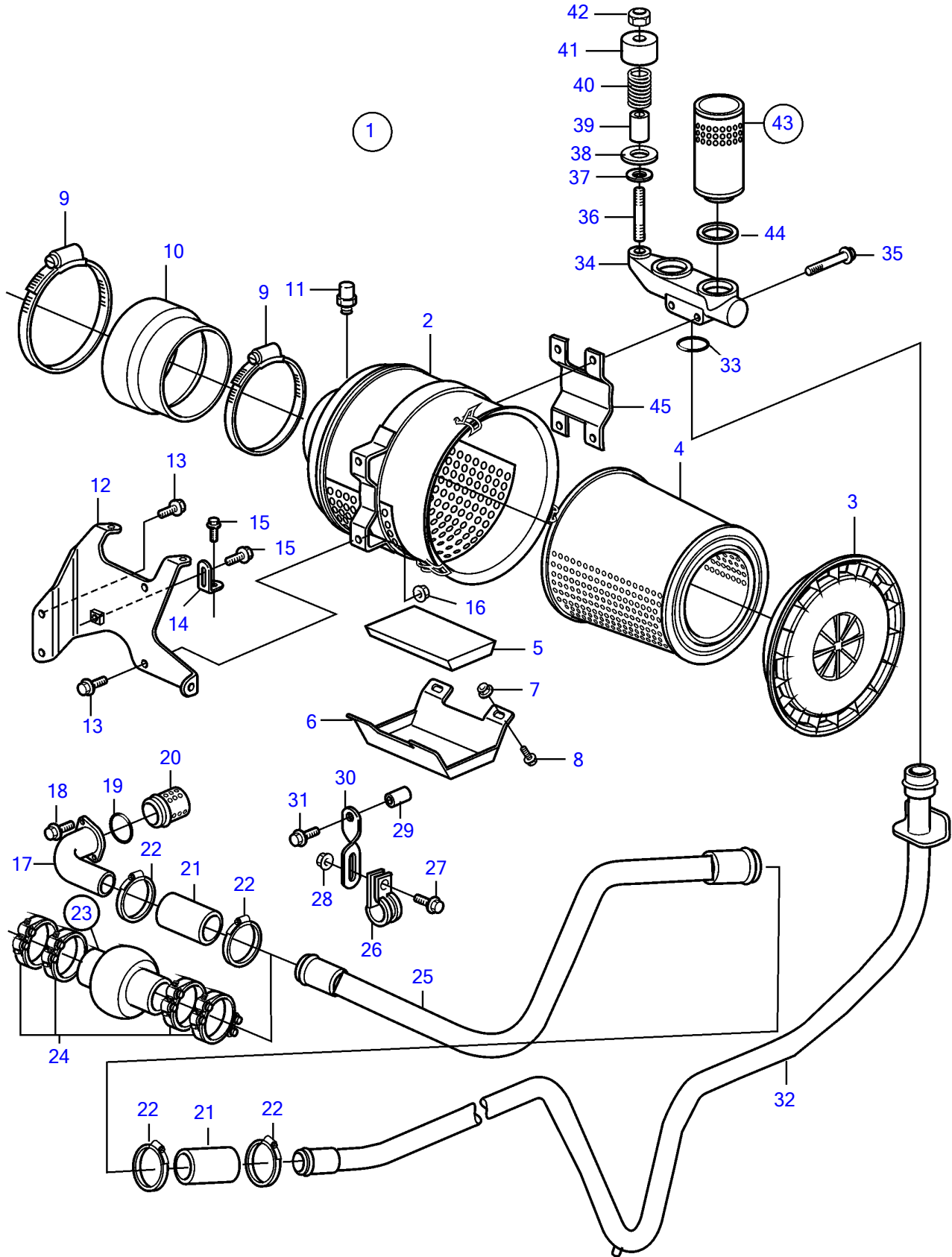


D12D-A MG, D12D-E MG



## D12D-A MG, D12D-E MG

REF	PART NO.	QTY	DESCRIPTION	NOTES
1	3828568	1	Air filter	
2		1	• Filter housing	
3		1	• Lock	
4	3828811	1	• Filter insert	
5	3830197	1	Oil collector	
6	3830166	1	Oil trap	
7	963105	4	Lock nut	
8	967949	4	Flange screw	
9	961907	2	Hose clamp	
10	3588022	1	Rubber collar	
11	3828765	1	Pressure drop indica	(842037)
12	3832661	1	Bracket	
13	946472	2	Flange screw	
14	965553	1	Bracket	
15	946440	2	Flange screw	
16	945408	2	Flange nut	
17	3827462	1	Hose connection	
18	945444	2	Flange screw	
19	3165097	1	Sealing ring	
20	3165095	1	Cup	
21	942707	X	Hose	L=100mm
22	961669	4	Hose clamp	
23	3830560	1	Hose connection	
24		4	• Hose clamp	
25	3835437	1	Tube	
26	947827	3	Clamp	
27	946440	3	Flange screw	
28	945408	3	Flange nut	
29	821540	1	Spacer sleeve	
30	1136551	1	Anchorage	
31	947760	1	Flange screw	
32	3832950	1	Tube	
33	421158	1	Sealing ring	
34	3826199	1	Connector housing	
35	965180	2	Flange screw	
36	924058	1	Stud	
37	421158	1	Sealing ring	
38	842972	1	Valve disc	
39	842974	1	Spacer sleeve	
40	843301	1	Spring	
41	842975	1	Protecting casing	
42	963105	1	Lock nut	
43	876069	2	Filter	
44	843449	2	• Gasket	
45	3832636	1	Bracket	