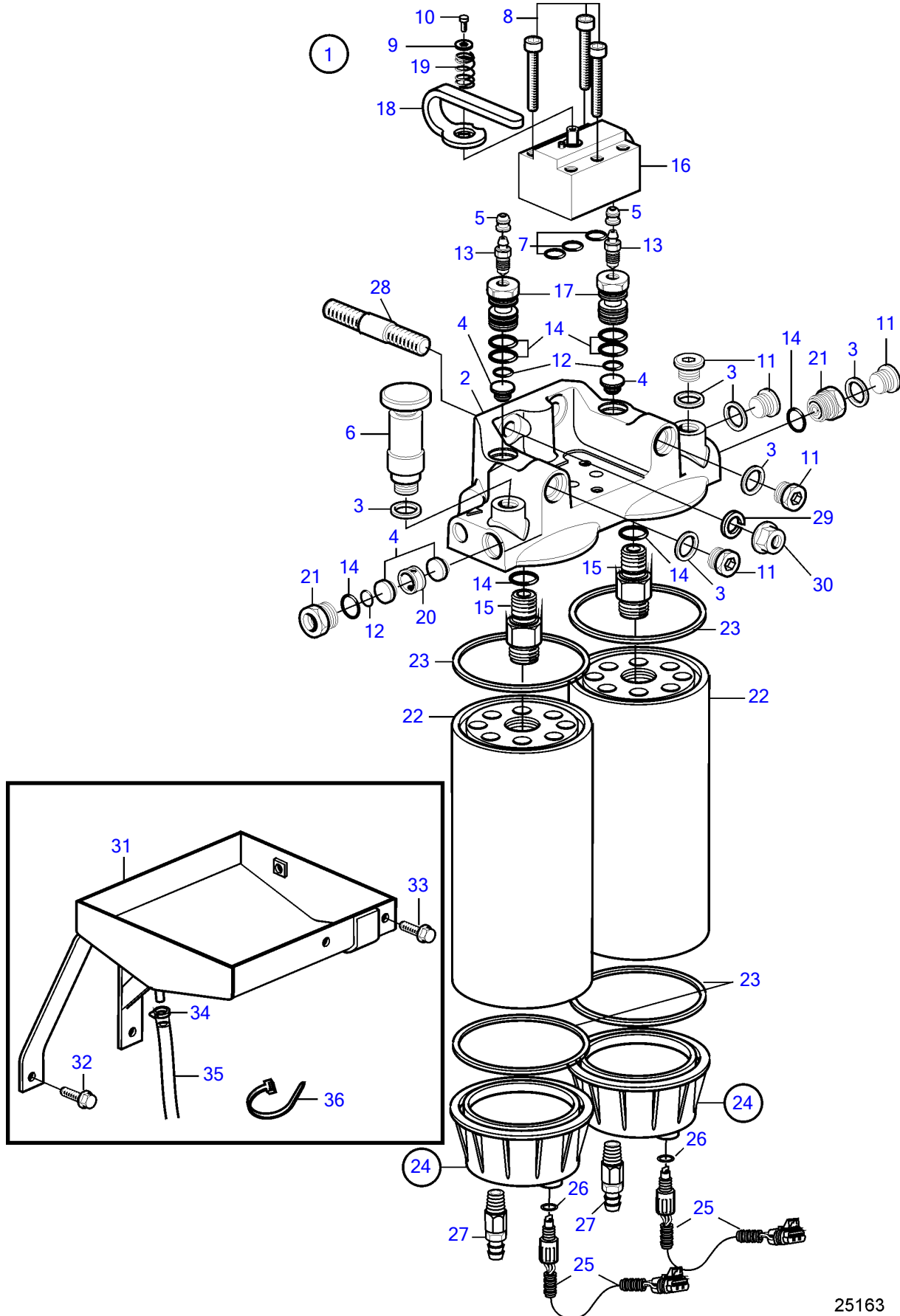


D12D-A MG, D12D-E MG



25163

Upd:2012-02-22

25163

7744530-23-5584

D12D-A MG, D12D-E MG

REF	PART NO.	QTY	DESCRIPTION	NOTES
1	3889532	1	Fuel filter housing	(3842872)
2	3808691	1	• Fuel filter housing	(3831048)
3	11996	5	• Gasket	
4	244834	4	• Valve	
5	20547976	2	• Protecting cover	(656456)
6	3837393	1	• Hand pump	
7	944364	3	• O-ring	
8	959227	3	• Hex. socket screw	
9	960137	1	• Washer	
10	963537	1	• Hexagon screw	
11	966143	5	• Plug	
12	976971	3	• O-ring	
13	20548012	2	• Faucet	(1330191)
14	1526474	8	• O-ring	
15	3831210	2	• Nipple	
16	3835369	1	• Valve body	
17	3835370	2	• Nipple	
18	3842870	1	• Handle	
19	3842868	1	• Compression spring	
20	3964717	1	• Spacer sleeve	
21	8148328	2	• Nipple	
22	3817517	2	Fuel filter kit	(3828838)
23		2	• Gasket	
24	3885578	2	Bowl	
25	3885070	2	• Sensor	
26	3831094	2	• • O-ring	
27	949918	2	• Shut-off cock	
28	977297	2	Stud	
29	941908	2	Spring washer	
30	971095	2	Flange nut	
31	3832639	1	Spill plate	
32	946440	3	Flange screw	
33	946173	2	Flange screw	For oil drain pump.
34	943472	1	Hose clamp	
35	941995	X	Hose	L=400mm
36	948211	X	Cable tie	