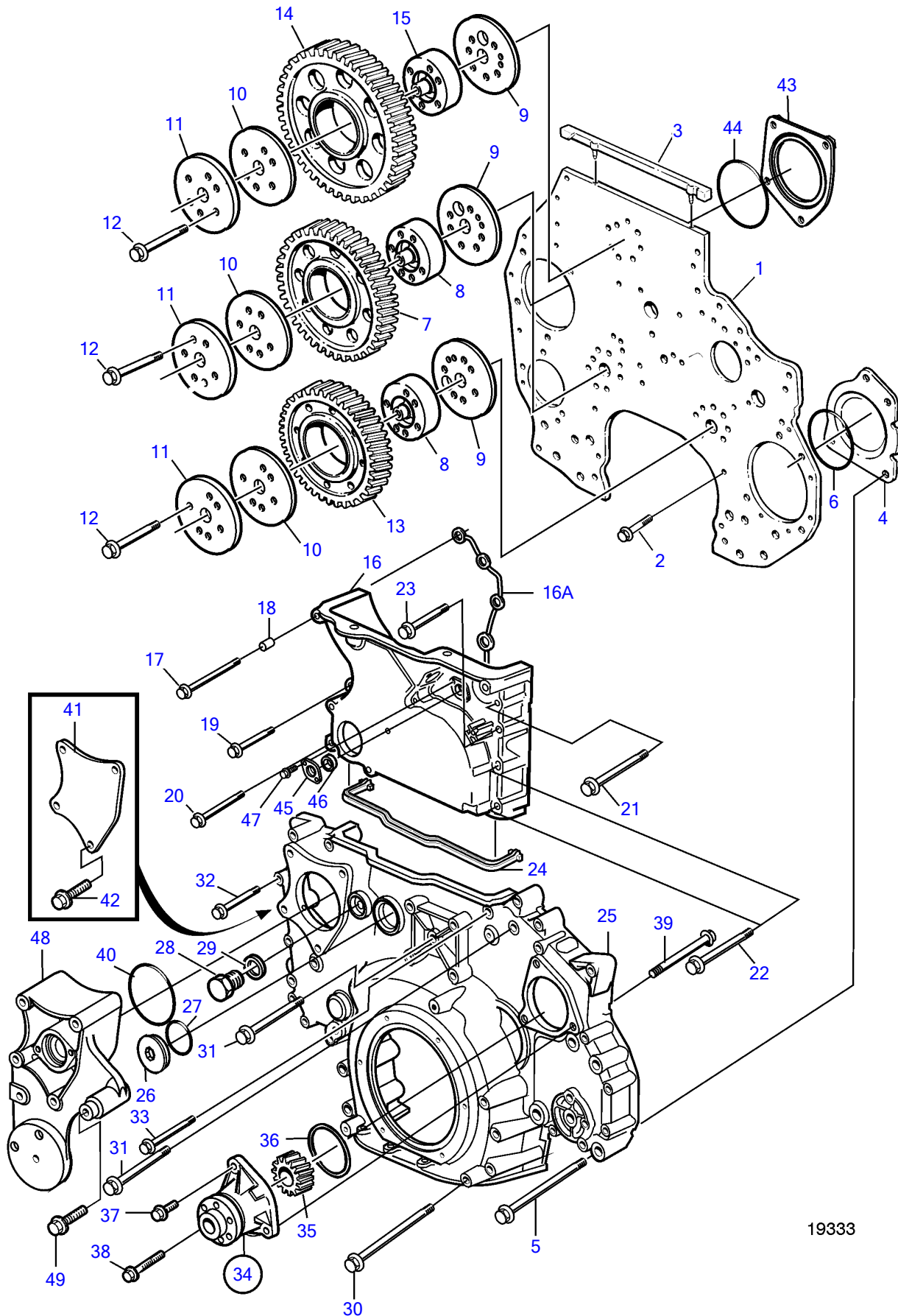


D12D-A MG, D12D-E MG



19333

D12D-A MG, D12D-E MG

REF	PART NO.	QTY	DESCRIPTION	SEE SEC.	NOTES
1	8170561	1	Timing gear plate		Replaced by 21383522
2	471586	17	Screw		L=38mm
3	20489341	1	Sealing		(8170473)
4	3828662	1	Cover		For engines in with keel cooling.
5	946473	4	Flange screw		For cover 3828662., L=90mm
6	949736	1	O-ring		
7	8170193	1	Idler gear		
8	8170219	2	Hub		
9	8170220	3	Thrust washer		
10	3184865	3	Thrust washer		
11	3184868	3	Bearing shield		
12	1547886	18	Screw		
13	8170195	1	Idler gear		
14	8170197	1	Idler gear		
15	8170199	1	Hub		
16	20512768	1	Timing gear cover		Replaced by 20713791
	20713791	1	Timing gear cover		
16A	3830184	1	Sealing		
17	968999	1	Flange screw		L=130mm
18	843075	1	Spacer sleeve		
19	965182	3	Flange screw		L=80mm
20	965183	1	Flange screw		L=90mm
21	965190	1	Flange screw		L=100mm
22	947790	2	Flange screw		L=80mm
23	965223	1	Flange screw		L=75mm
24	20714247	1	Sealing strip		(8170452)
25	3835799	1	Timing gear cover		Replaced by timing gear cover 21122283, companion flange 21243814 and 2 pcs screw 3595265.
	21122283	1	Timing gear cover		
26	467367	1	• Plug		
27	469328	1	• Gasket		
28	960632	1	• Plug		
29	948884	1	• Gasket		
30	973096	4	Flange screw		L=130mm
31	947790	2	Flange screw		L=80mm
32	965217	12	Flange screw		L=65mm
33	965183	1	Flange screw		L=90mm
34	8193986	1	Driving device		
			•		
			•	4338	
35		1	• Gear		
36	967344	1	O-ring		
37	946752	1	Flange screw		
38	965190	1	Flange screw		
39	3184837	1	Flange screw		For driving device. mounted from the opposite side through the fuel pump.
40	948981	1	O-ring		
41	3827079	1	Cardboard tube		Alt
42	965197	4	Flange screw		
43	1556208	1	Cover		
44	948888	1	O-ring		
45	3964803	1	Plug		
46	20555696	1	Sealing ring		(421629)
47	946440	2	Flange screw		
48	3826898	1	Bracket		
49	973967	4	Flange screw	4633	