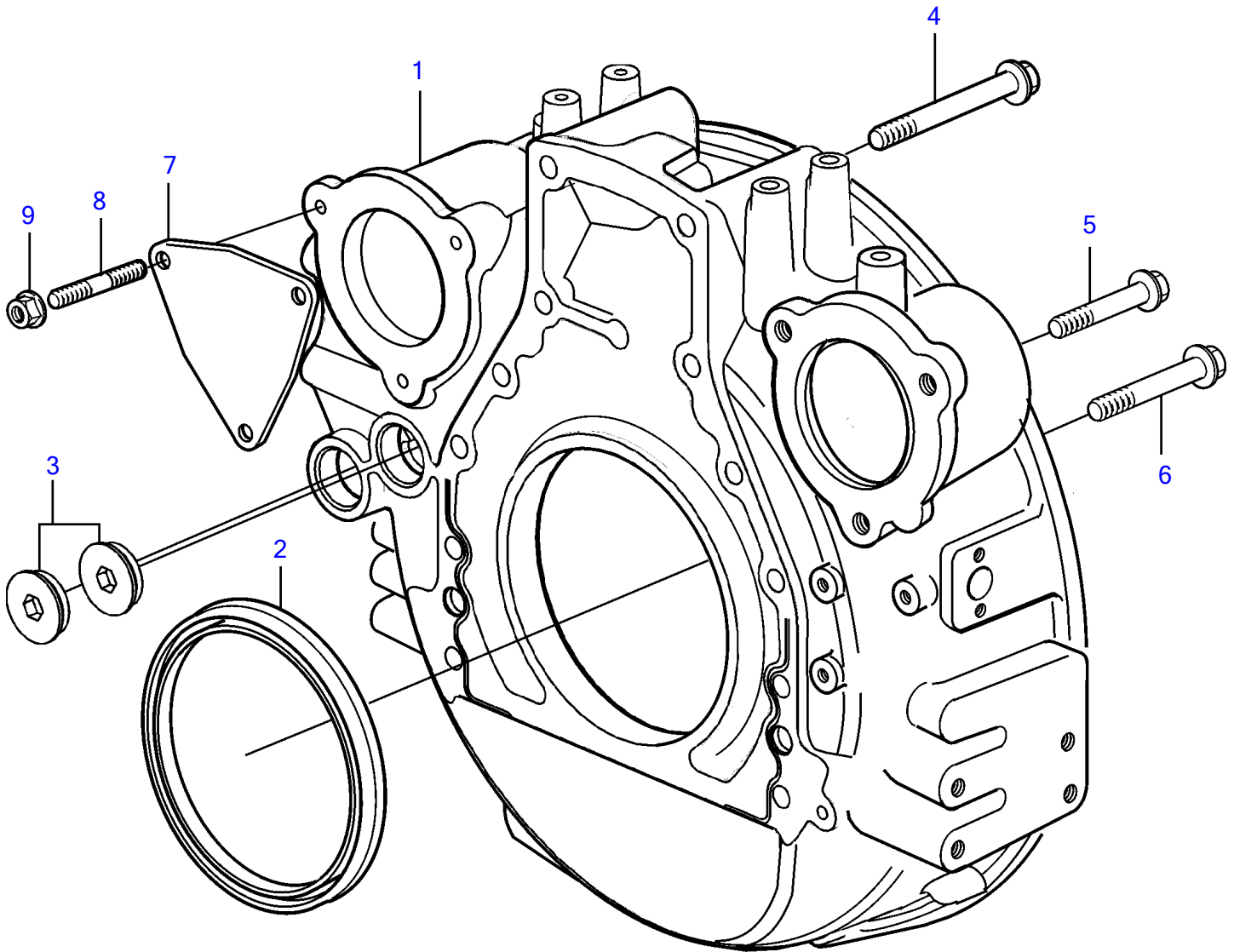


D12D-A MG, D12D-E MG



19006

D12D-A MG, D12D-E MG

REF	PART NO.	QTY	DESCRIPTION	NOTES
1	11128689	1	Flywheel housing	
2	85108352	1	Crankshaft seal	(1543896)
3	467367	2	Plug	
4	966371	2	Flange screw	L=140mm
5	966364	8	Flange screw	L=70mm
6	966366	2	Flange screw	L=90mm
7	849135	1	Cover	
8	953098	3	Stud	
9	971096	1	Flange nut	