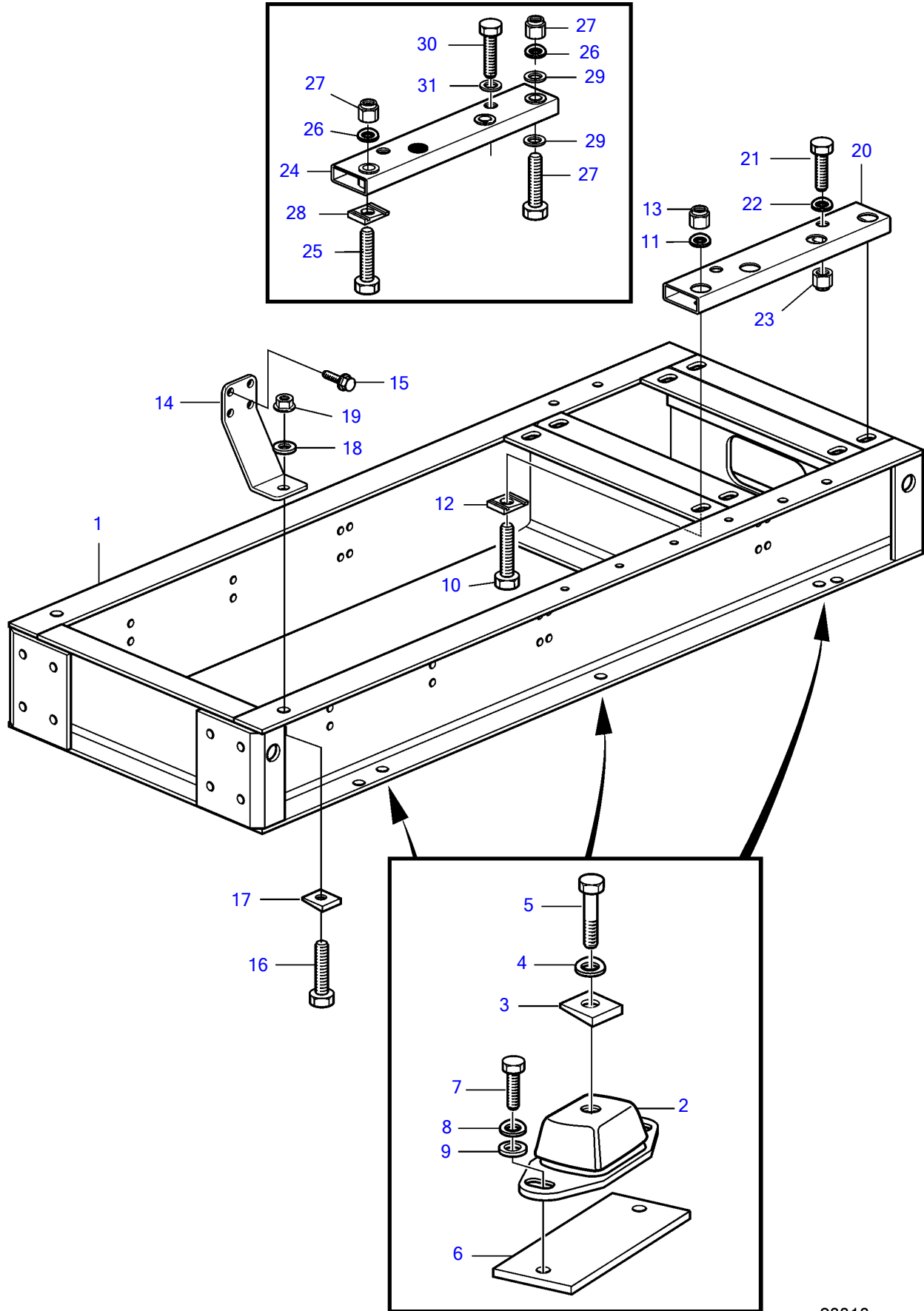


D12D-A MG, D12D-E MG



D12D-A MG, D12D-E MG

| REF | PART NO. | QTY | DESCRIPTION | NOTES |
|-----|-----------|-----|------------------|--------------------|
| 1 | (3831461) | 1 | Frame | Obsolete part |
| 2 | 862347 | 6 | Rubber cushion | |
| 3 | 18683 | 6 | U-member washer | |
| 4 | 941914 | 6 | Spring washer | Obsolete part |
| 5 | 955387 | 6 | Hexagon screw | |
| 6 | | 6 | Weld plate | |
| 7 | 955361 | 12 | Hexagon screw | |
| 8 | 941912 | 12 | Spring washer | |
| 9 | 955900 | 12 | Washer | |
| 10 | 955774 | 4 | Hexagon screw | |
| 11 | 941917 | 4 | Spring washer | |
| 12 | 191810 | 2 | Washer | |
| 13 | 950381 | 4 | Lock nut | |
| 14 | 3831477 | 2 | Engine mountings | |
| 15 | 968435 | 8 | Flange screw | |
| 16 | 955390 | 2 | Hexagon screw | |
| 17 | 18683 | 2 | U-member washer | |
| 18 | 941914 | 2 | Spring washer | Obsolete part |
| 19 | 963111 | 2 | Lock nut | |
| 20 | (3835807) | 2 | Frame | Alt, Obsolete part |
| 21 | 955774 | 4 | Hexagon screw | |
| 22 | 941917 | 4 | Spring washer | |
| 23 | 950381 | 4 | Lock nut | |
| 24 | | 2 | Frame | Alt, Late type |
| 25 | 955411 | 4 | Hexagon screw | Obsolete part |
| 26 | 941914 | 4 | Spring washer | Obsolete part |
| 27 | 963096 | 4 | Lock nut | Obsolete part |
| 28 | 966183 | 2 | U-member washer | |
| 29 | (955905) | 4 | Washer | Obsolete part |
| 30 | 955390 | 4 | Hexagon screw | |
| 31 | 955903 | 4 | Washer | |