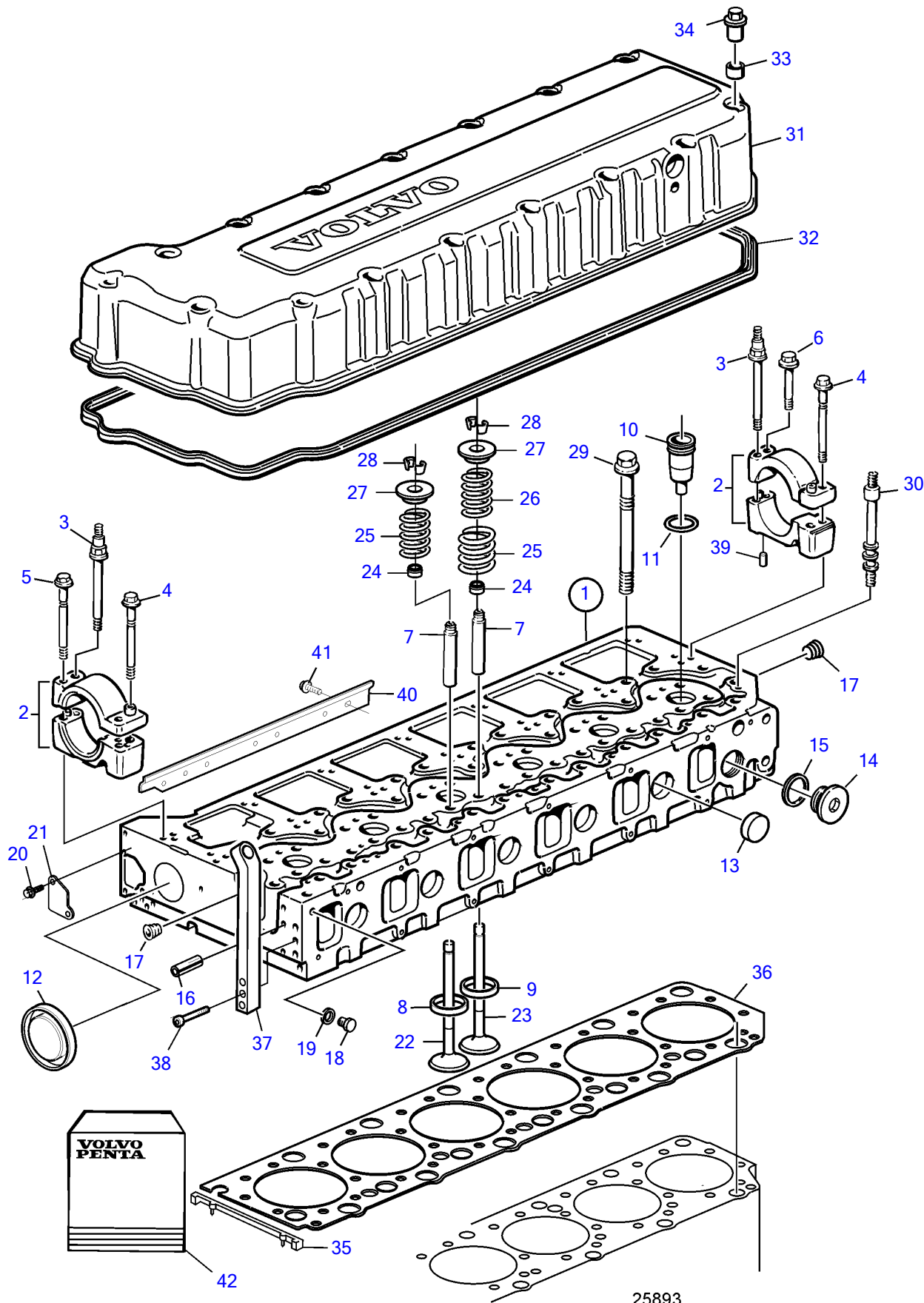


D12D-A MG, D12D-E MG



25893

D12D-A MG, D12D-E MG

REF	PART NO.	QTY	DESCRIPTION	NOTES
1	3803666	1	Cylinder head	(3586648)
2	3165130	1	• Bearing housing, front	
	3165136	6	• Bearing housing	
3	21344812	7	• Stud	
4		14	•	L=127mm
5	21344752	1	• Screw	L=106mm
6	1677283	6	• Screw	L=70mm
7	20817645	24	• Valve guide	Replaced by 20905400
	20905400	24	• Valve guide	
8	20482579	12	• Valve seat, inlet	Std
9	20412798	12	• Valve seat, outlet	Std
	20430463	12	• Valve seat, outlet	O.S=0,20mm
10	85104134	6	• Copper sleeve kit	
11	20536487	1	• • O-ring	
12	8170553	1	• Expansion plug	
13	8131707	11	• Cap plug	
14	3165025	1	• Plug	
15	949659	1	• • O-ring	
16	422426	1	• Pivot pin	
17	968062	2	• Plug	
18	20441335	1	• Plug	
19	947281	1	• Gasket	
20	946440	2	• Flange screw	
21	3828003	1	• Cardboard tube	
22	20463800	12	• Inlet valve	
23	20441486	12	• Exhaust valve	
24	859171	24	• Valve stem seal	
25	21310068	24	• Valve spring	
26	3183211	12	• Valve spring, inlet, inner	
27	1546487	24	• Valve spring washer	
28	1677875	48	• Valve collet	
29	21345131	38	Screw	
30	21344784	9	Stud	
31	20545669	1	Valve cover	(20450395)
32	21123014	1	Sealing strip	
33	3964604	16	Bushing	
34	8148488	16	Cap nut	
35	20489341	1	Sealing	(8170473)
36	3099100	1	Cylinder head gasket	(3093503)
37	(3826657)	1	Lifting eye	Obsolete part
38	959265	3	Hex. socket screw	
39	950562	14	Pin	Included in overhaul kit 3165309.
40	20566300	1	Heat shield	
41	946441	3	Flange screw	
42	3830718	1	Gasket kit	See group 99