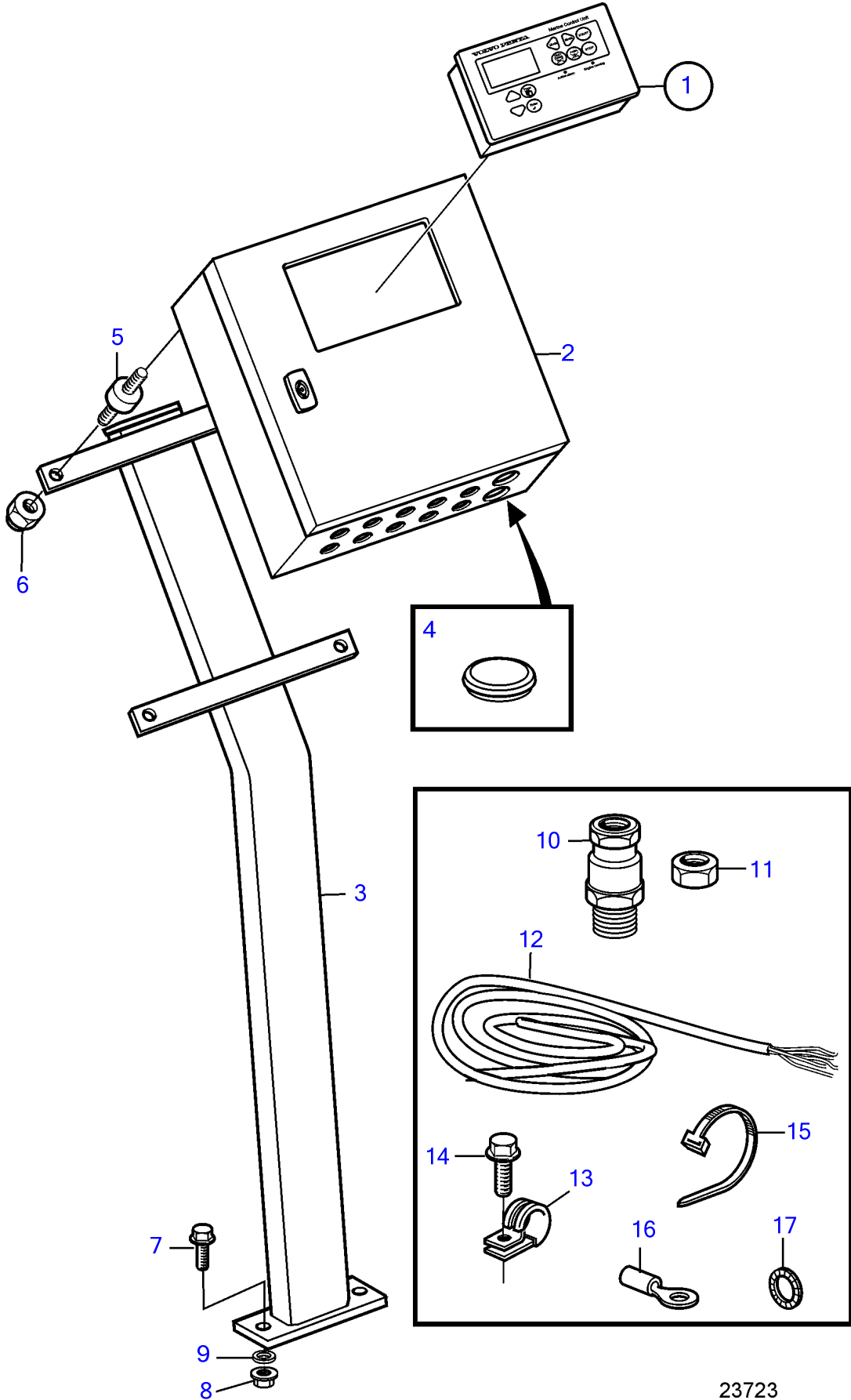


D12D-A MG, D12D-E MG



D12D-A MG, D12D-E MG

| REF | PART NO. | QTY | DESCRIPTION     | SEE SEC. | NOTES          |
|-----|----------|-----|-----------------|----------|----------------|
| 1   |          | 1   | Electronic unit | 21668    |                |
| 2   |          | 1   | Housing         | 21668    |                |
| 3   | 3883975  | 1   | Bracket         |          |                |
| 4   | 941268   | X   | Plug            |          | D=20mm         |
|     | 943920   | X   | Plug            |          | D=1.10" (28mm) |
|     | 662620   | X   | Rubber button   |          | D=28mm         |
| 5   | 863415   | 4   | Rubber cushion  |          |                |
| 6   | 945408   | 4   | Flange nut      |          |                |
| 7   | 965193   | 2   | Flange screw    |          |                |
| 8   | 971096   | 2   | Flange nut      |          |                |
| 9   | (18675)  | 2   | U-member washer |          | Obsolete part  |
| 10  | 881193   | 1   | Grommet         |          |                |
| 11  | 880755   | 1   | Nut             |          |                |
|     | 945408   | X   | Flange nut      |          |                |
| 12  | 970624   | X   | Electric cable  |          | L=300mm        |
| 13  | 947827   | X   | Clamp           |          |                |
| 14  | 946440   | X   | Flange screw    |          |                |
|     | 945444   | X   | Flange screw    |          |                |
| 15  | 948211   | X   | Cable tie       |          |                |
| 16  | 881494   | 2   | Cable terminal  |          |                |
| 17  | 942767   | 1   | Toothed washer  |          |                |