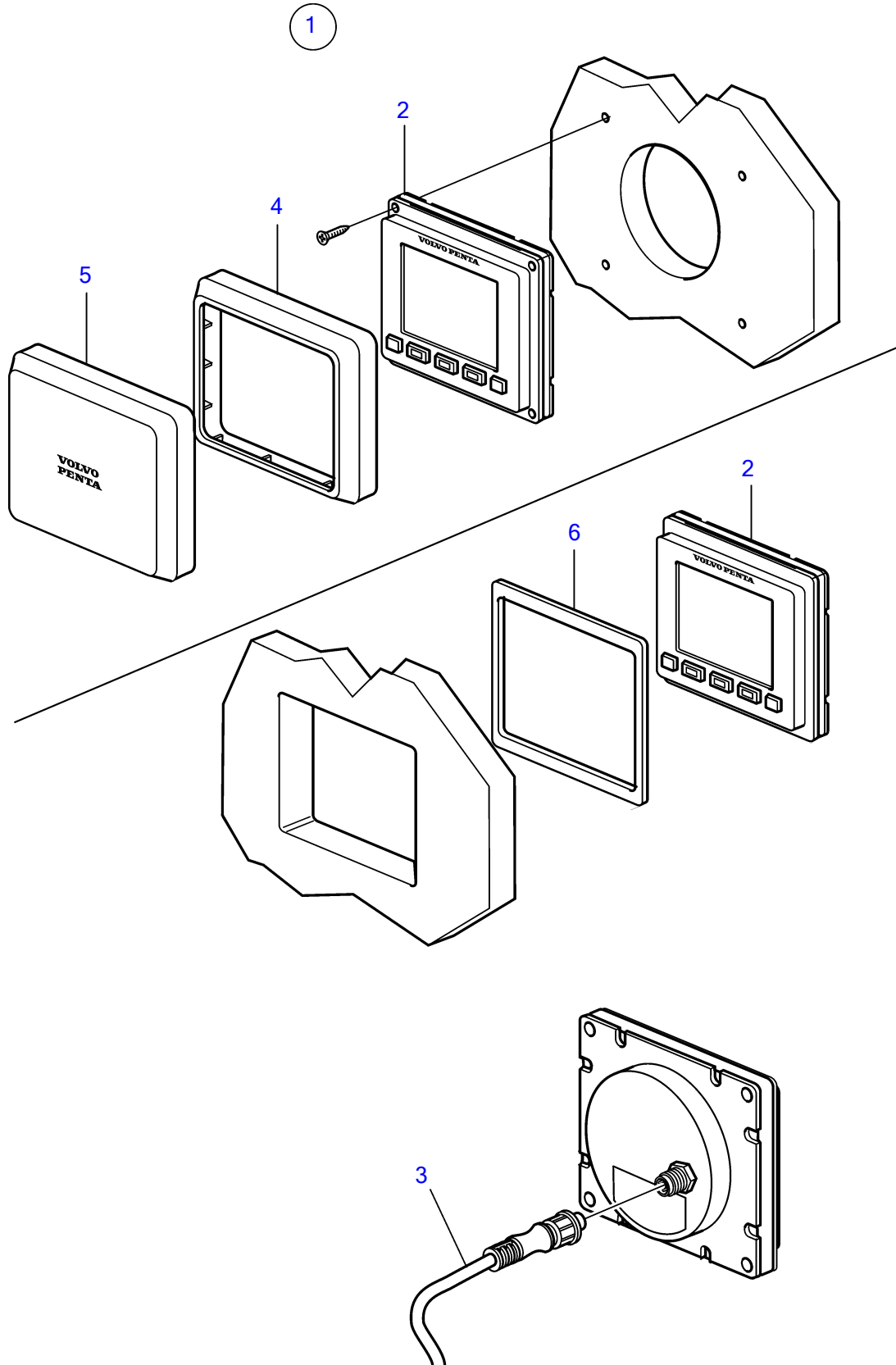


D12D-A MG, D12D-E MG



D12D-A MG, D12D-E MG

REF	PART NO.	QTY	DESCRIPTION	NOTES
1	21584186	1	Display, kit	
2	21611740	1	• Display	
3	21640400	1	• Cable	
4	21611210	1	• Frame	For top mounting
5	21611208	1	• Cover	For top mounting
6	21693705	1	• Gasket	For flush mounting.