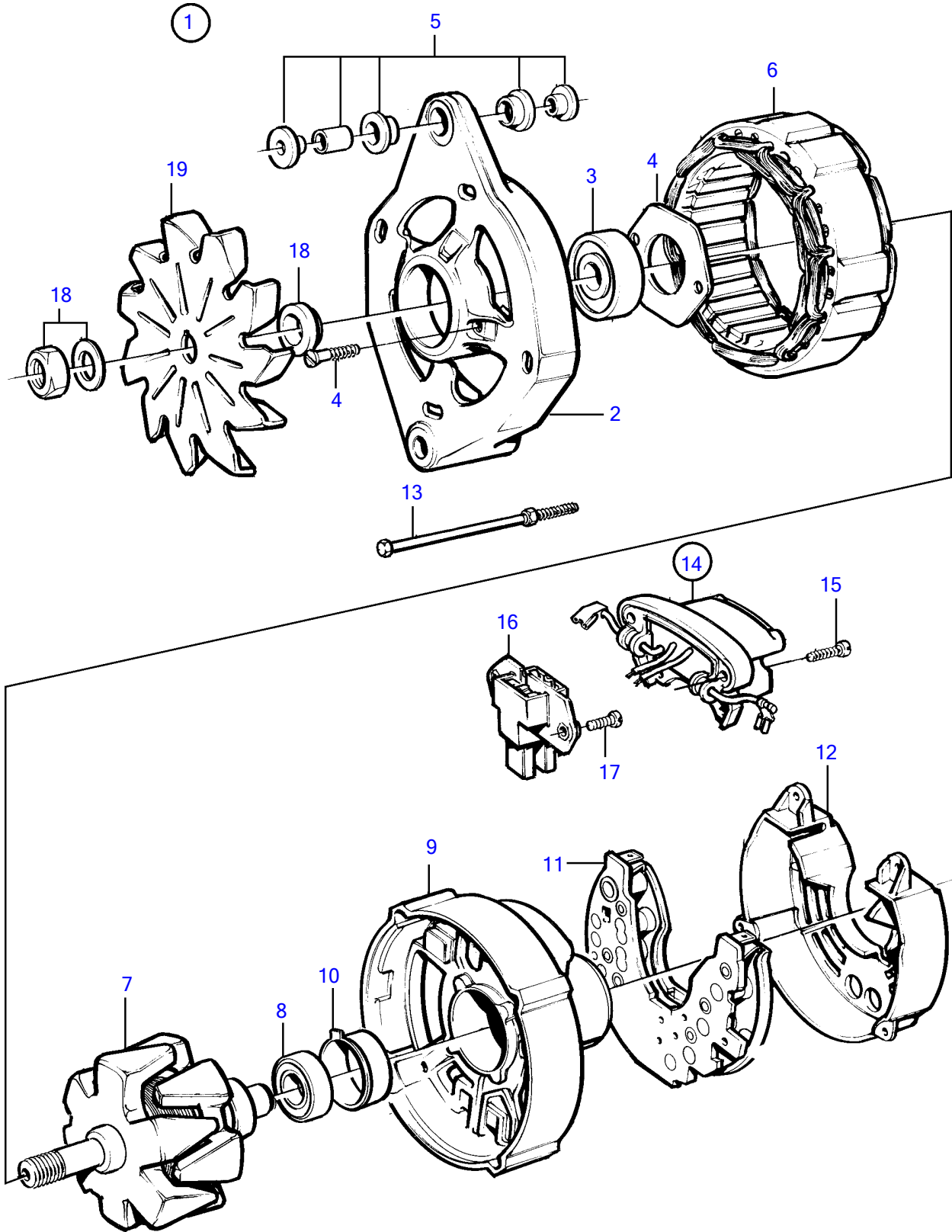


D12D-A MG, D12D-E MG



D12D-A MG, D12D-E MG

REF	PART NO.	QTY	DESCRIPTION	NOTES
1	873986	1	Alternator	
	3803496	1	Alternator, exch, exch	
2		1	• End plate	
3	847708	1	• Ball bearing	
4	847709	1	• Bearing carrier	
5	840634	1	• Guide	
6	(864346)	1	• Stator	Obsolete part
7	(864347)	1	• Rotor	Obsolete part
8	864351	1	• Ball bearing	
9		1	• End plate	
10	(840629)	1	• Bearing race	Obsolete part
11	(3090710)	1	• Diode bridge	Obsolete part
12	847712	1	• Protecting casing	
13	847710	1	• Screw kit	
14	872368	1	• Regulator kit	
15	859312	4	• • Screw	
16	840632	1	• • Brush retainer	
17	859312	2	• • • Screw	
18	847706	1	• Nut set	
19	(3090711)	1	• Fan	Obsolete part