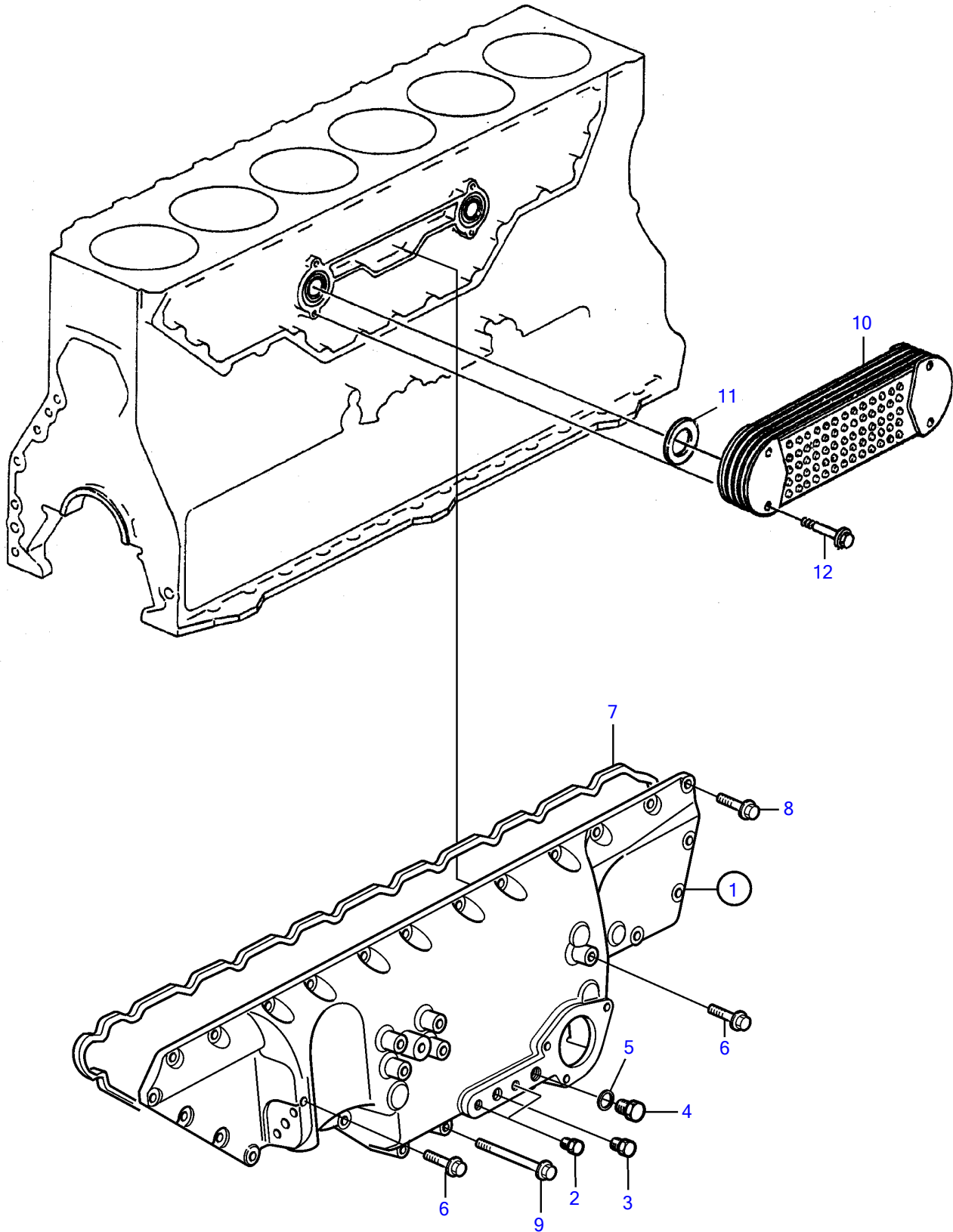


D12D-A MG, D12D-E MG



D12D-A MG, D12D-E MG

REF	PART NO.	QTY	DESCRIPTION	NOTES
1	3841320	1	Cover	(3832668)
2	479979	2	• Plug	1/8x9,5mm
3	861551	1	• Plug	1/4x14mm
4	960632	1	• Plug	M18x12mm
5	11998	1	• Gasket	
6	946440	2	Flange screw	
7	20712545	1	Gasket	
8	945444	22	Flange screw	
9	965180	5	Flange screw	
10	3826589	1	Oil cooler	
11	20551483	2	Sealing ring	(1677516)
12	981497	4	Flange screw	