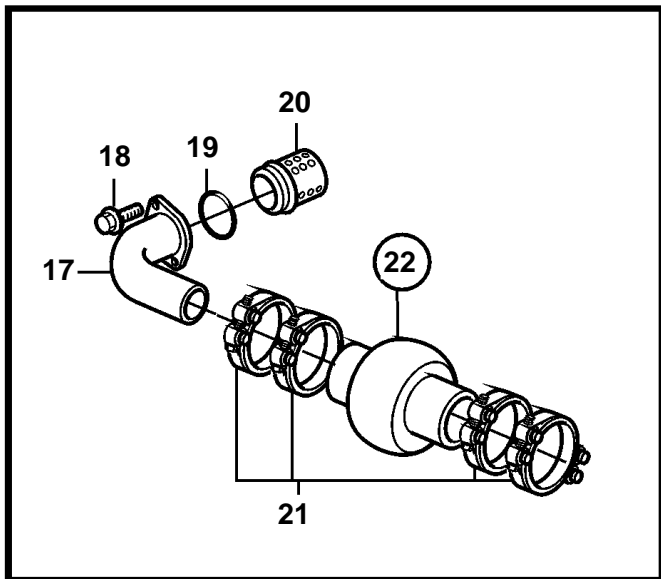
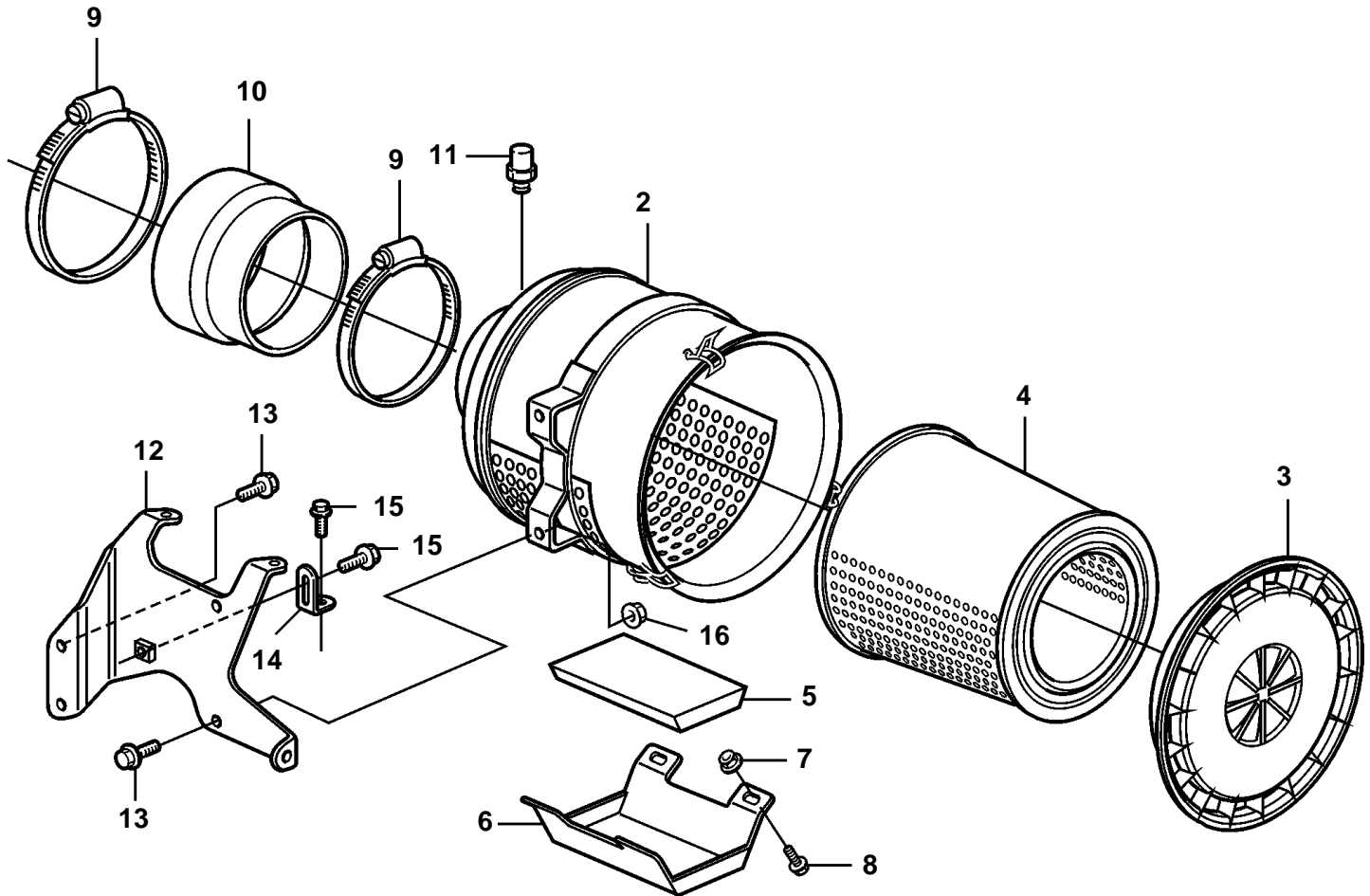


D12D-A MG

1



19085

D12D-A MG

| REF | PART NO. | QTY | DESCRIPTION | NOTES |
|-----|----------|-----|----------------------|----------|
| 1 | 3828568 | 1 | Air filter | |
| 2 | | 1 | • Filter housing | |
| 3 | | 1 | • Cover | |
| 4 | 3828811 | 1 | • Filter insert | |
| 5 | 3830197 | 1 | Oil catcher | |
| 6 | 3830166 | 1 | Oil trap | |
| 7 | 963105 | 4 | Nut | |
| 8 | 967949 | 4 | Screw | |
| 9 | 961907 | 2 | Hose clamp | |
| 10 | 3832412 | 1 | Rubber collar | SO |
| 11 | 3828765 | 1 | Pressure drop indica | (842037) |
| 12 | 3832661 | 1 | Bracket | |
| 13 | 946472 | 2 | Screw | |
| 14 | 965553 | 1 | Bracket | |
| 15 | 946440 | 2 | Flange screw | |
| 16 | 945408 | 2 | Flange nut | |
| 17 | 3827462 | 1 | Hose connection | |
| 18 | 945444 | 2 | Flange screw | |
| 19 | 3165097 | 1 | Sealing ring | |
| 20 | 3165095 | 1 | Cup | |
| 21 | 3830560 | 1 | Hose connection | |
| 22 | | 4 | • Hose clamp | |