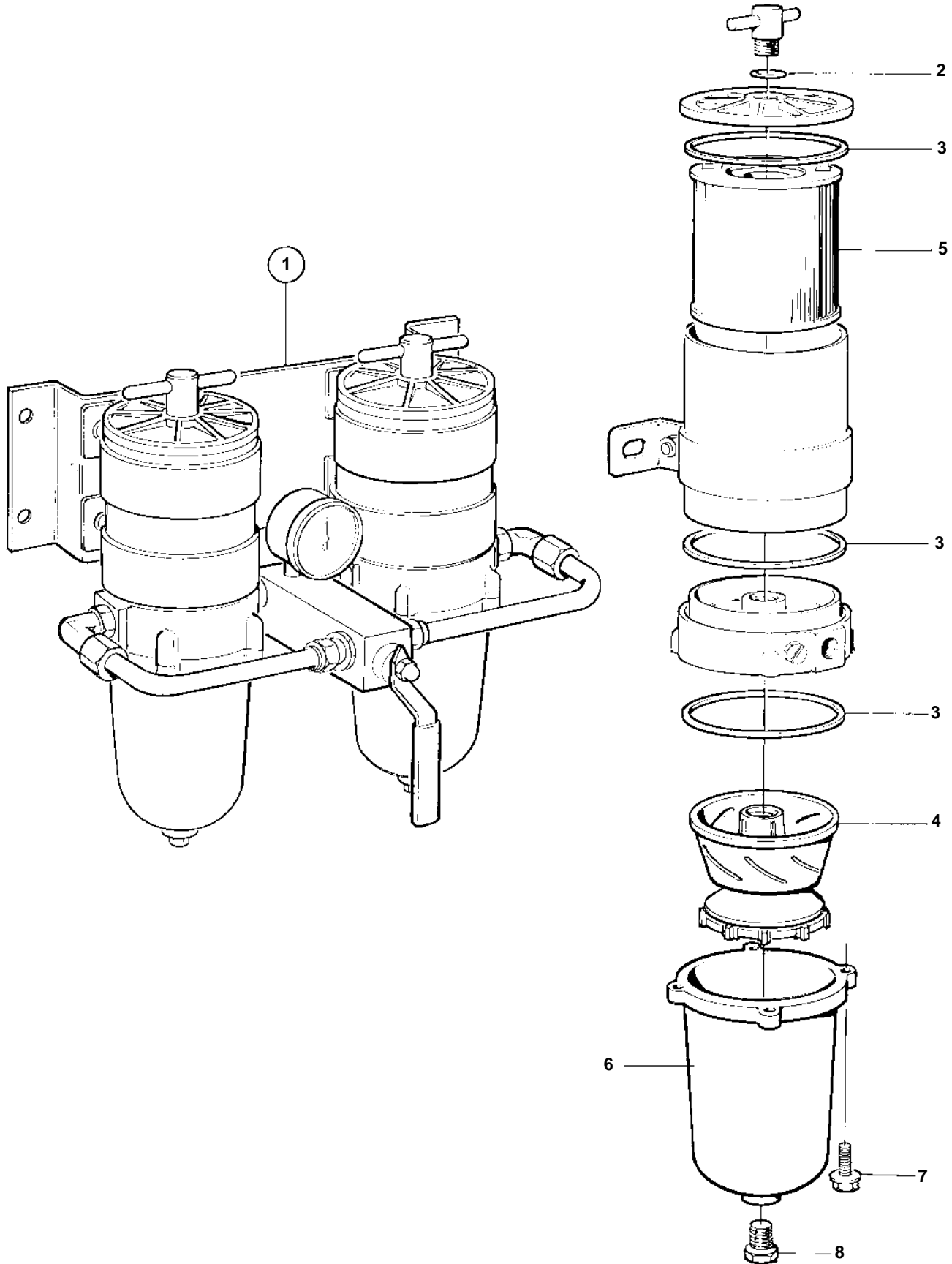


D12D-A MG



15909

D12D-A MG

| REF | PART NO. | QTY | DESCRIPTION | SEE SEC. | NOTES |
|-----|----------|-----|-----------------|-----------|---------------------------------|
| 1 | 3825022 | 1 | Fuel cleaner | | |
| | | | Bulletin 50-11A | 50-11A-EN | Fuel Filters / Water Separators |
| 2 | 838505 | 2 | • O-ring | | |
| 3 | 846719 | 6 | • Gasket | | |
| 4 | 3825028 | 2 | • Turbine | | |
| 5 | 3825027 | 2 | • Filter insert | | |
| 6 | 848293 | 2 | • Bowl | | Metal Bowl. |
| 7 | 940094 | 8 | • Screw | | |
| 8 | 952075 | 2 | • Plug | | |