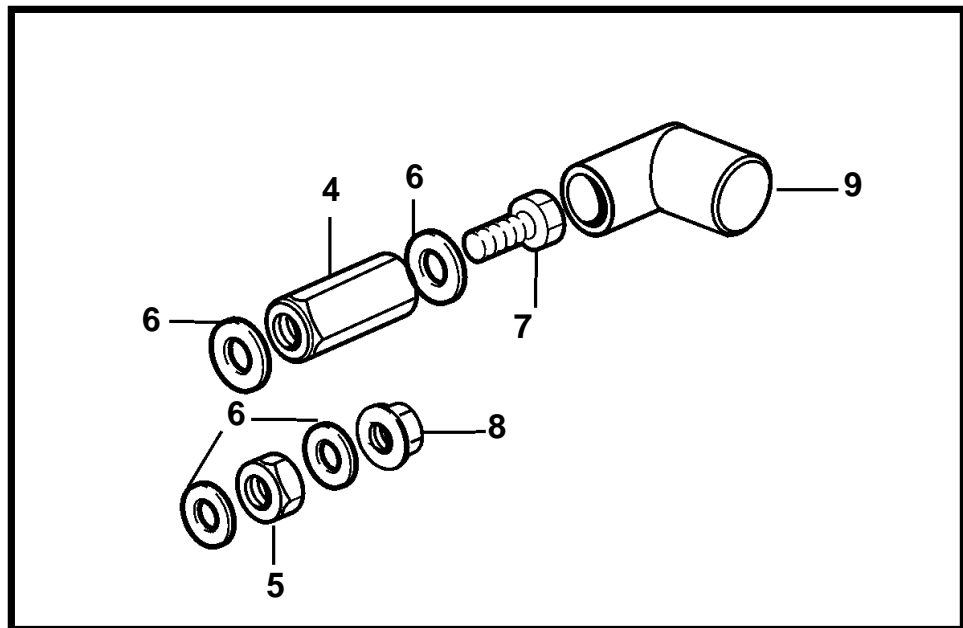
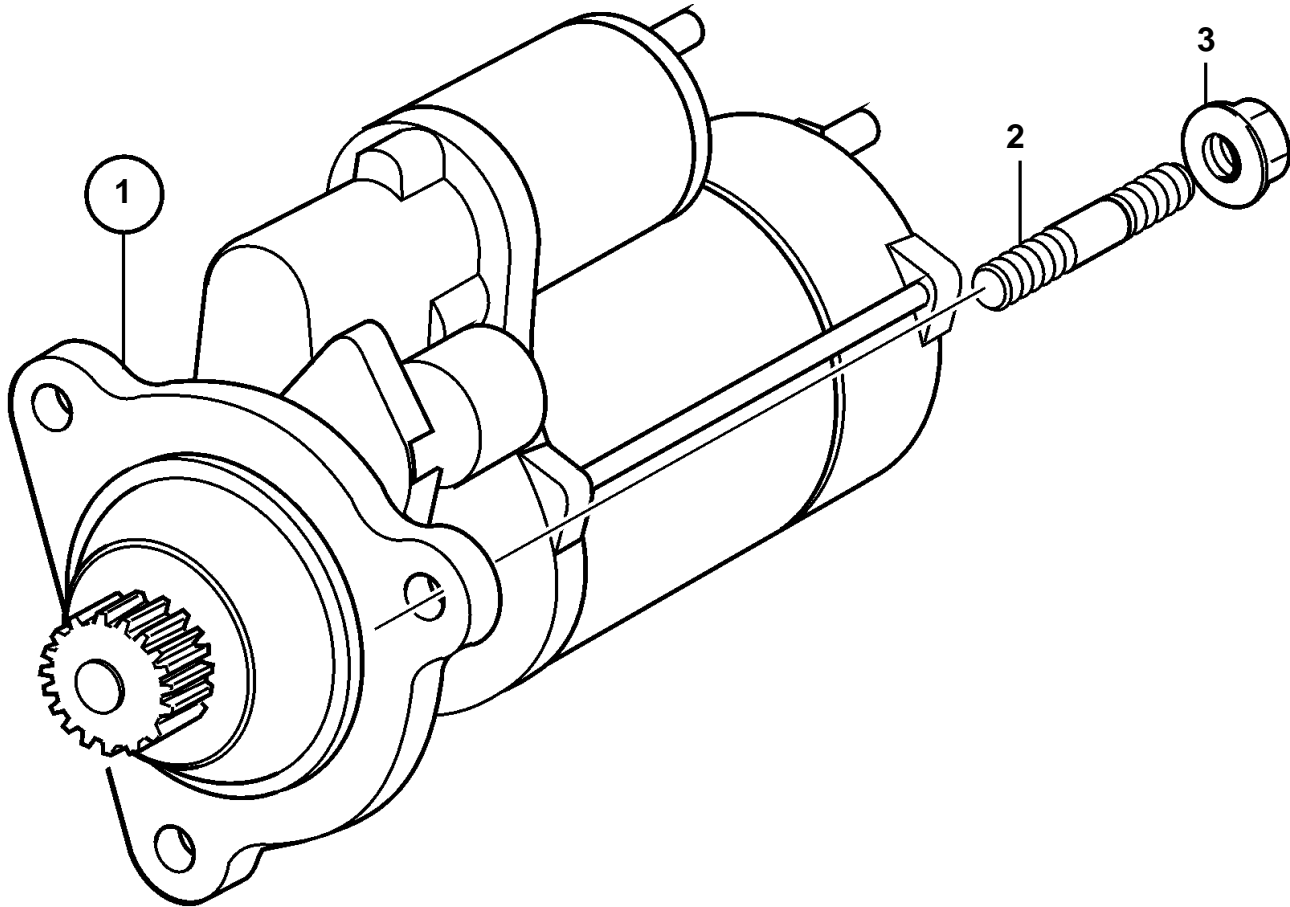


D12D-A MG



D12D-A MG

| REF | PART NO. | QTY | DESCRIPTION | SEE SEC. | NOTES |
|-----|----------|-----|---------------------|----------|---------------|
| 1 | 874385 | 1 | Starter motor | | (3827444) |
| | 3803583 | 1 | Starter motor, exch | | Exchange unit |
| | | | | 5853 | |
| 2 | 953098 | 3 | Stud | | |
| 3 | 971096 | 3 | Nut | | |
| 4 | 857180 | 1 | Nut | | M10x32mm |
| 5 | 971071 | 1 | Nut | | M10 |
| 6 | 941908 | 4 | Spring washer | | |
| 7 | 946670 | 1 | Flange screw | | |
| 8 | 971095 | 1 | Nut | | |
| 9 | 855798 | 1 | Protecting sleeve | | |