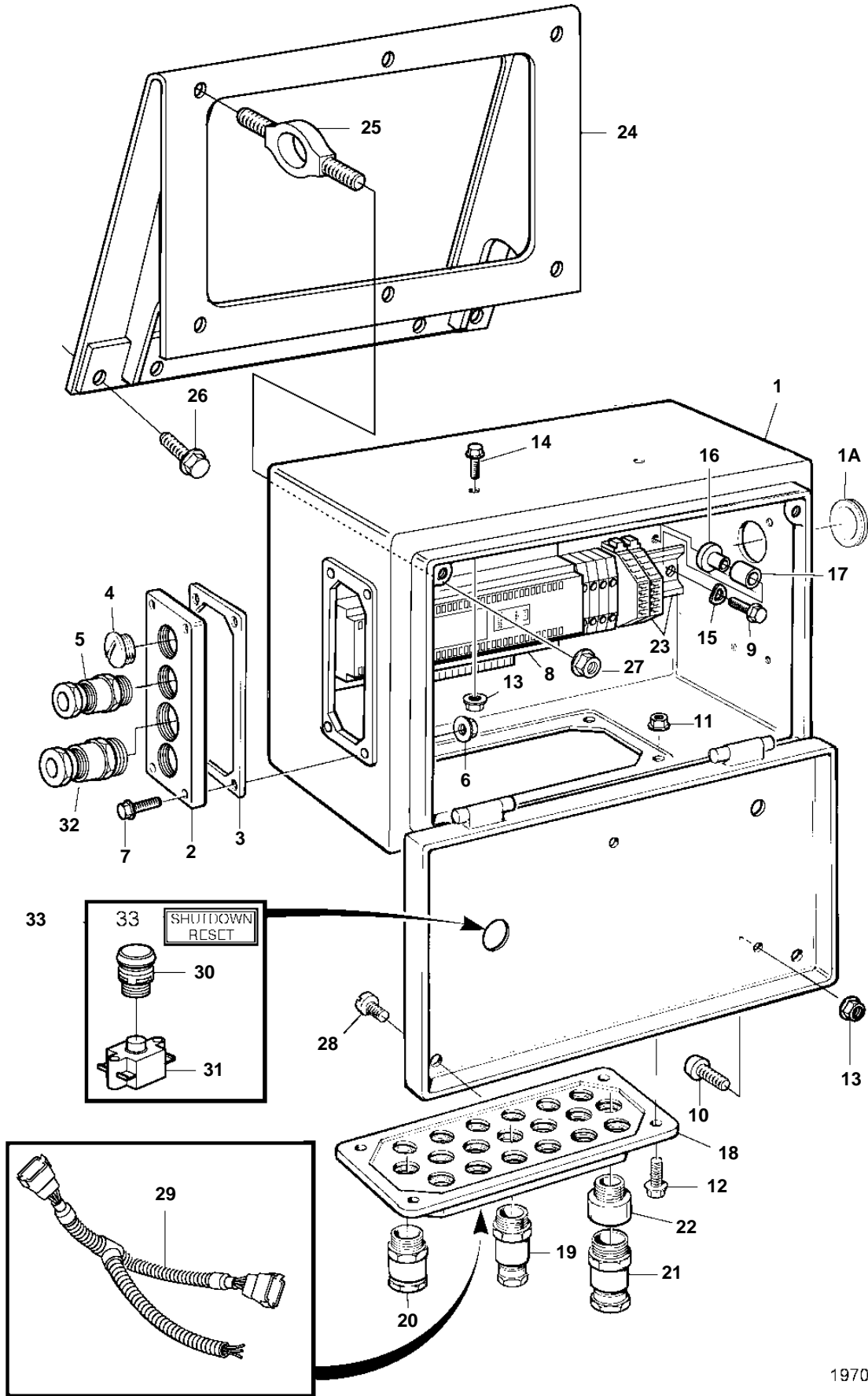


D12D-A MG



19704

## D12D-A MG

REF	PART NO.	QTY	DESCRIPTION	NOTES
1	874647	1	Electrical distribut	
1A	941269	1	· Cable grommet	
2	843094	1	Flange	
3	843578	1	Gasket	
4	843903	3	Plug	
5	881193	1	Cable union	
6	963105	8	Nut	M6
7	946544	4	Flange screw	M6x16
8	881905	1	Electronic unit	Shutdown unit
9	956081	2	Screw	M5x25
10	965199	4	Screw	M6x14
11	963104	4	Nut	M5
12	956075	4	Screw	M5x10
13	965483	10	Nut	
14	965199	6	Screw	
15	960138	2	Washer	
16	824830	2	Spacer sleeve	
17	403894	2	Spacer sleeve	
18		1	Flange	
19	881190	1	Cable union	4,5-7,5mm, PR 15,2
	881191	X	Cable union	7,5-10,5mm, PR 18,6
20	844576	X	Cable union	9,5-12,0mm, PR 18,6
21	881192	X	Cable union	12,5-15,0mm, PR 22,5
22	872939	1	Adapter, electr box-altern-starter	SO D=18,6-22,5mm
	862885	1	Reducer sleeve	FOR 881190. D=15,2-18,6mm
23	888003	1	Terminal block, converter	
24	3832497	1	Bracket	
25	3839156	4	Rubber cushion	
26	946441	2	Screw	
27	945407	8	Flange nut	
28	946471	1	Screw	
29	881630	1	Cable kit	
30	863104	1	Push button	
31	873791	1	Switch	
32	822327	1	Cable union	8,5-11,5mm, PR 22,5
33		1	Decal	