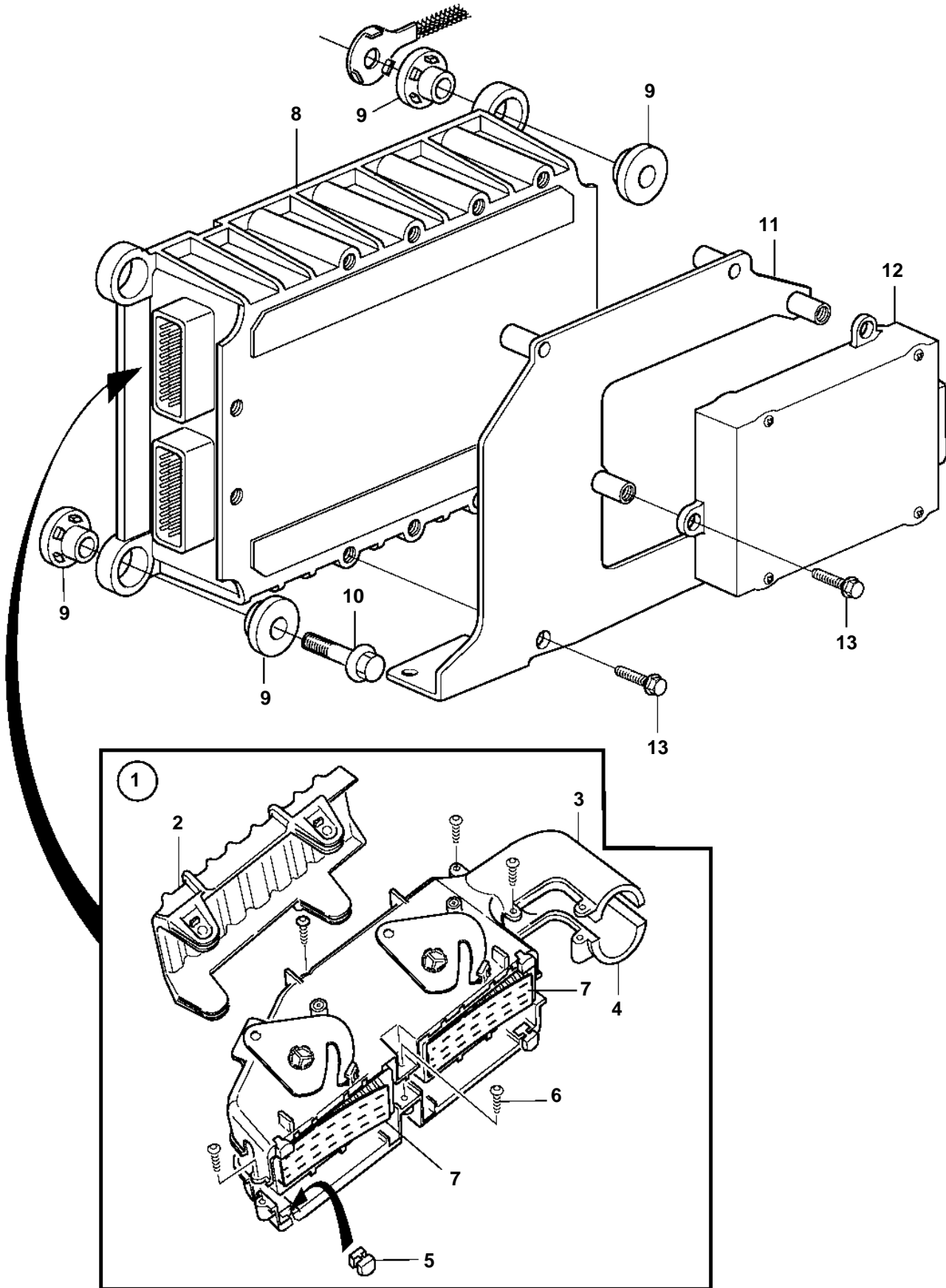


D12D-A MG



D12D-A MG

REF	PART NO.	QTY	DESCRIPTION		NOTES
1		1	Switch		
2	3199185	1	• Handle		
3	3173907	1	• Cover		
4	3173908	1	• Cover		
5	3173913	4	• Vibration damper		
6	975367	5	• 6 point socket screw		
7		2	• Tab housing		
8	3161979	1	Control unit, not programmed		EDC. Software ordered separatly or downloaded with VODIA.
	3586269	1	Update	SO	Warehouse programming. This p/n can not be ordered, but will be used for invoicing.
	3586268	1	Update	SO	Vodia-programming. This p/n can not be ordered, but will be used for invoicing.
9	3095161	4	• Rubber cushion		
10	948217	4	Flange screw		
11	3836338	1	Bracket	SO	
12	888930	1	Electronic unit		
13		7	Flange screw		