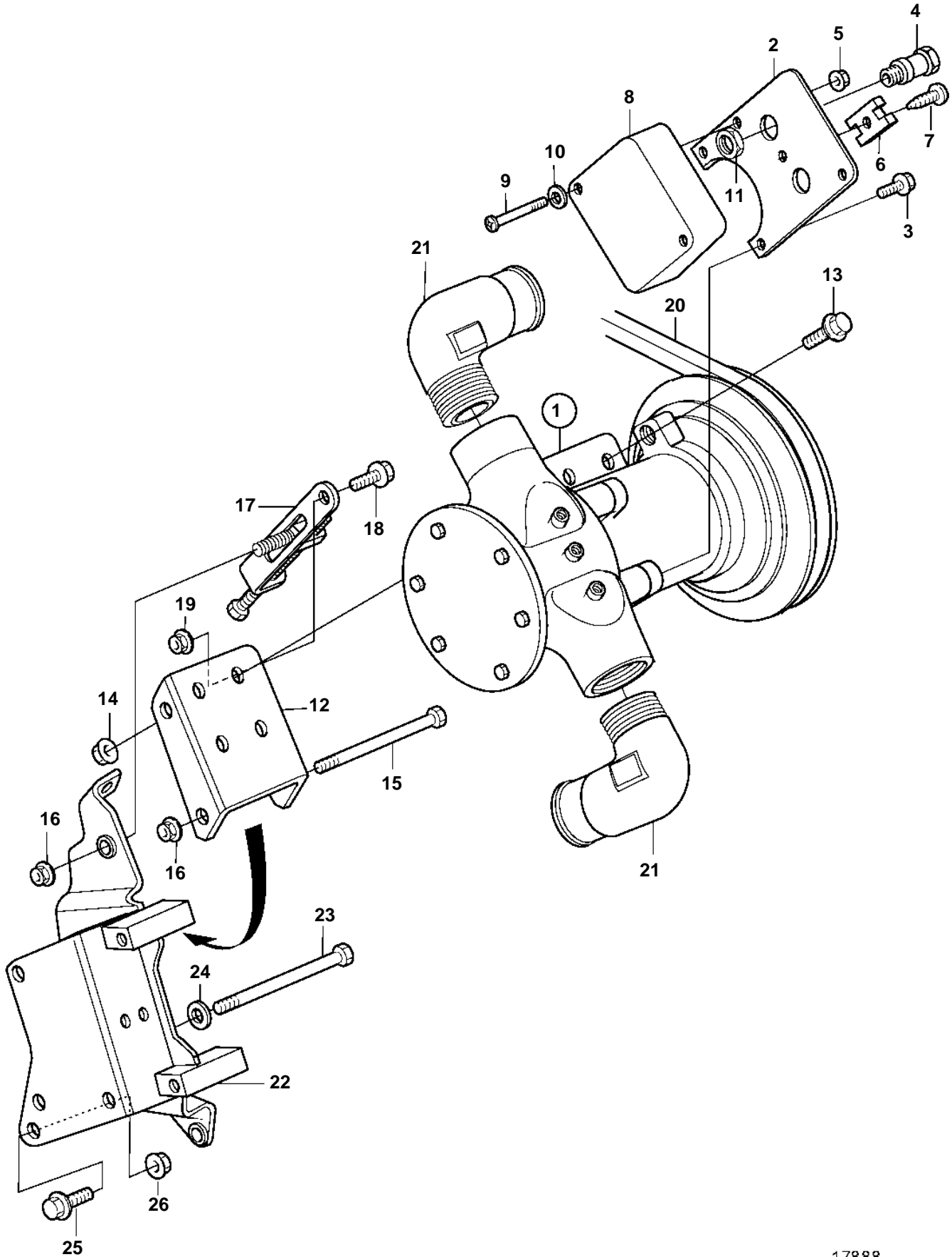


D12C-A MP, D12D-A MP, D12D-B MP, D12D-A MH, D12D-B MH



D12C-A MP, D12D-A MP, D12D-B MP, D12D-A MH, D12D-B MH

REF	PART NO.	QTY	DESCRIPTION	SEE SEC.	NOTES
1	846105	1	Bilge pump		2"
				1014	
2		1	Bracket		
3	955525	2	Screw		
4	822327	1	Cable union		Sealing diameter 8,5mm-11,5mm.
	881192	1	Cable union		Sealing diameter 12,5mm-15mm.
5	955780	2	Nut		
6	926219	1	Coupling piece		
7	956049	1	Screw		
8	837392	1	Cover		
9	956301	2	Screw		
10	941905	2	Spring washer		
11	880243	2	Nut		
12	847950	1	Bracket		
13	946472	4	Screw		
14	971095	4	Nut		
15	965190	1	Screw		
16	971095	2	Nut		
17	1676586	1	Tensioner		
18	946173	1	Flange screw		
19	945408	1	Flange nut		
20	846361	1	V-belt		
21	813644	2	Hose attachment		
22	3826651	1	Bracket		
23	970985	2	Screw		
24	940280	2	Spring washer		
25	965192	2	Flange screw		
26	971096	2	Nut		