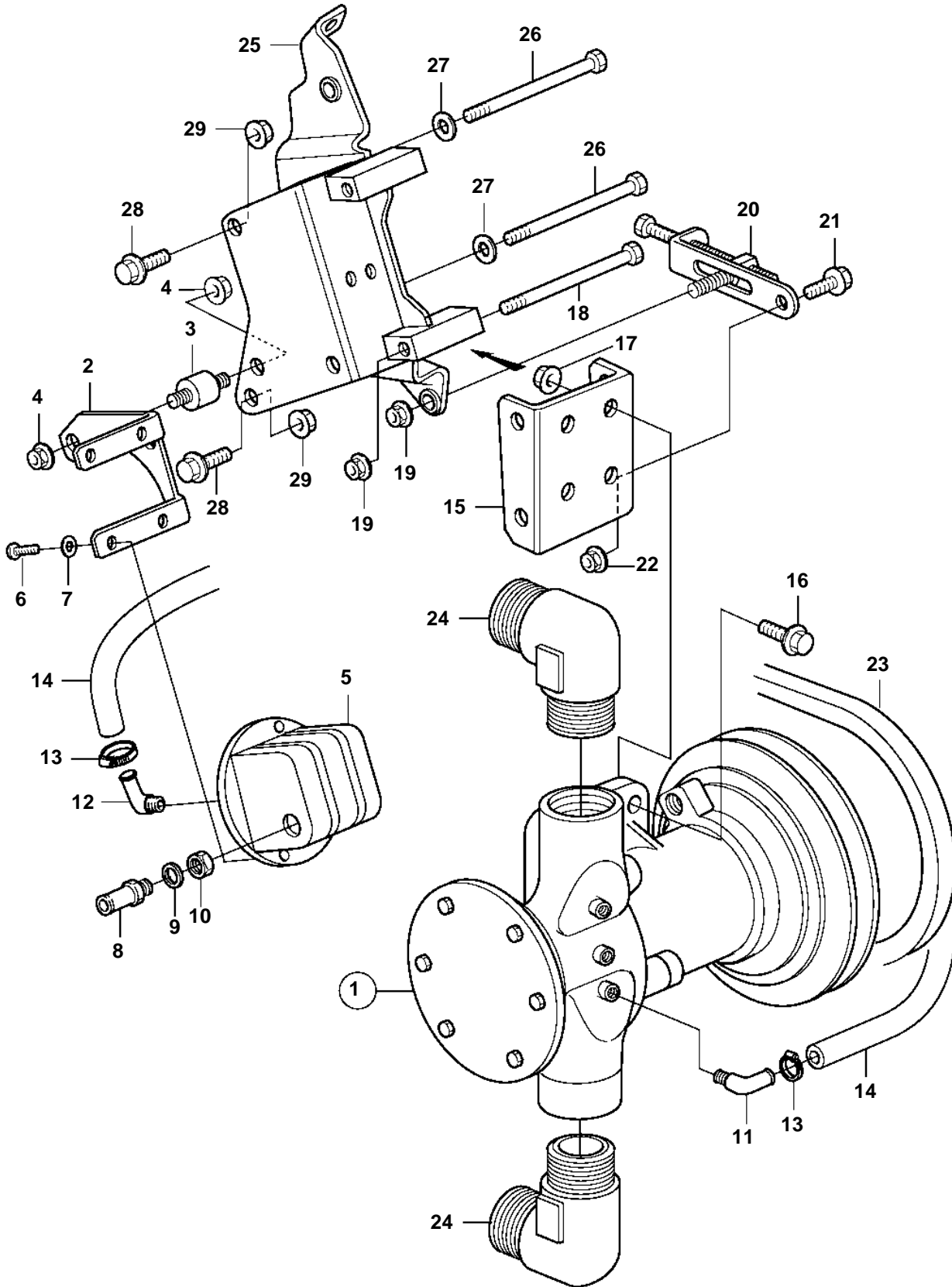


D12C-A MP, D12D-A MP, D12D-B MP, D12D-A MH, D12D-B MH



17887

D12C-A MP, D12D-A MP, D12D-B MP, D12D-A MH, D12D-B MH

REF	PART NO.	QTY	DESCRIPTION	SEE SEC.	NOTES
1	846105	1	Bilge pump		2
				1014	
2	846218	1	Bracket		
3	863415	2	Rubber cushion		
4	945408	4	Flange nut		
5	1144047	1	Switch		
6		4	Screw		
7	941904	4	Spring washer		
8	822327	1	Cable union		Sealing diameter 8,5mm-11,5mm.
	881192	1	Cable union		Sealing diameter 12,5mm-15mm.
9	957187	2	Washer		
10	880243	2	Nut		
11	479953	1	Elbow nipple		
12	947681	1	Elbow nipple		
13	961663	2	Clamp		
14	943367	X	Hose		L=400mm
15	847950	1	Bracket		
16	946472	4	Screw		
17	971095	4	Nut		
18	965190	1	Screw		
19	971095	2	Nut		
20	1676586	1	Tensioner		
21	946173	1	Flange screw		
22	945408	1	Flange nut		
23	846361	1	V-belt		
24	813644	2	Hose attachment		
25	3826651	1	Bracket		
26	970985	2	Screw		
27	940280	2	Spring washer		
28	965192	2	Flange screw		
29	971096	2	Nut		