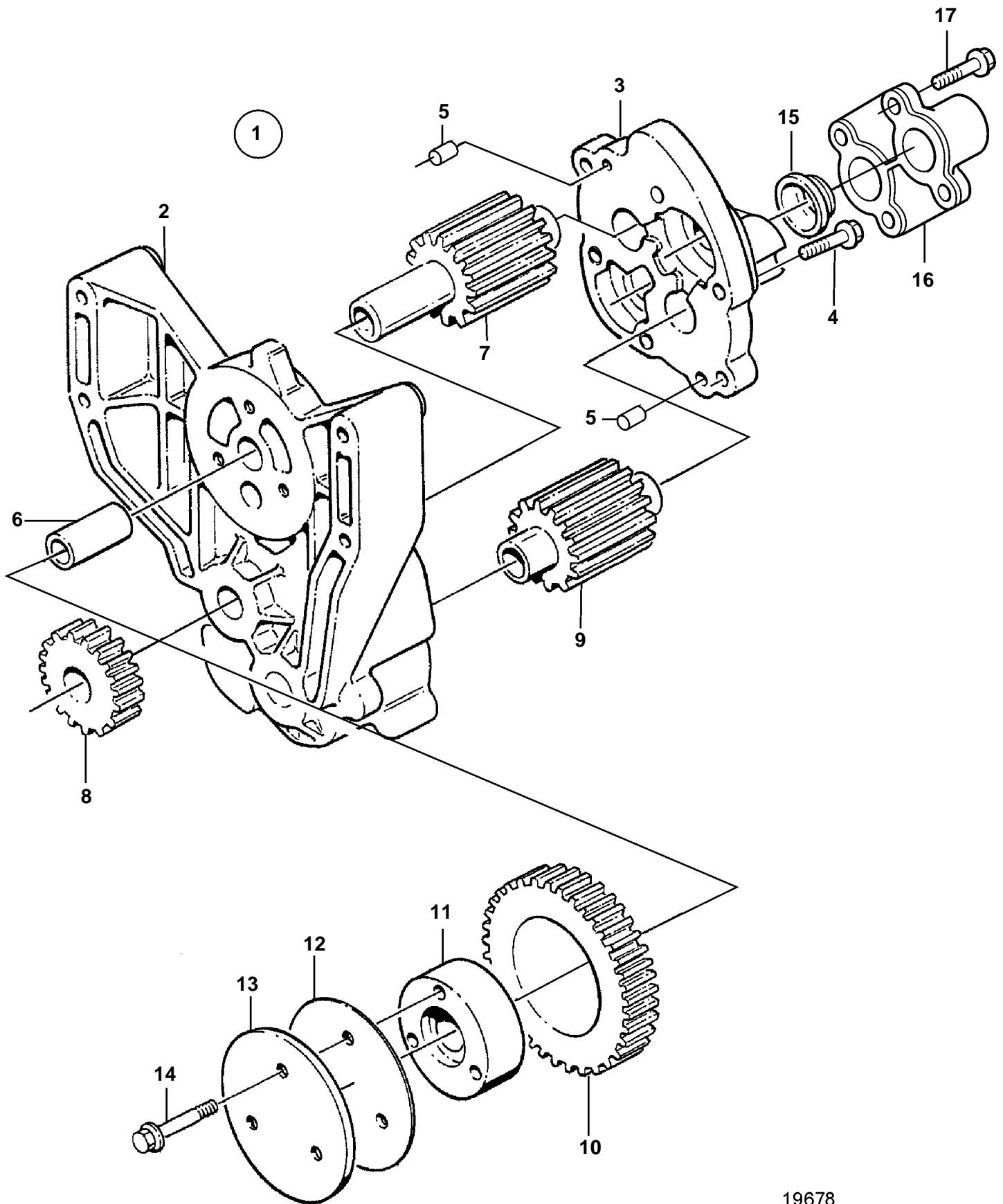


D12C-A MP, D12D-A MP, D12D-B MP, D12D-A MH, D12D-B MH



19678

D12C-A MP, D12D-A MP, D12D-B MP, D12D-A MH, D12D-B MH

REF	PART NO.	QTY	DESCRIPTION	NOTES
1	8170261	1	Oil pump	(3165222)
2		1	· Oil pump housing	
3		1	· Cover	
4	965180	2	· Flange screw	
5	422426	2	· Pin	
6		1	· Pin	
7		1	· Shaftwith gear	
8		1	· Gear	
9		1	· Shaftwith gear	
10		1	· Idler gear	
11		1	· Hub	
12		1	· Bearing shield	
13		1	· Thrust washer	
14	948217	3	· Flange screw	
15	465784	1	· Sealing ring	
16	3979001	1	· Connection plate	
17	965180	2	· Flange screw	