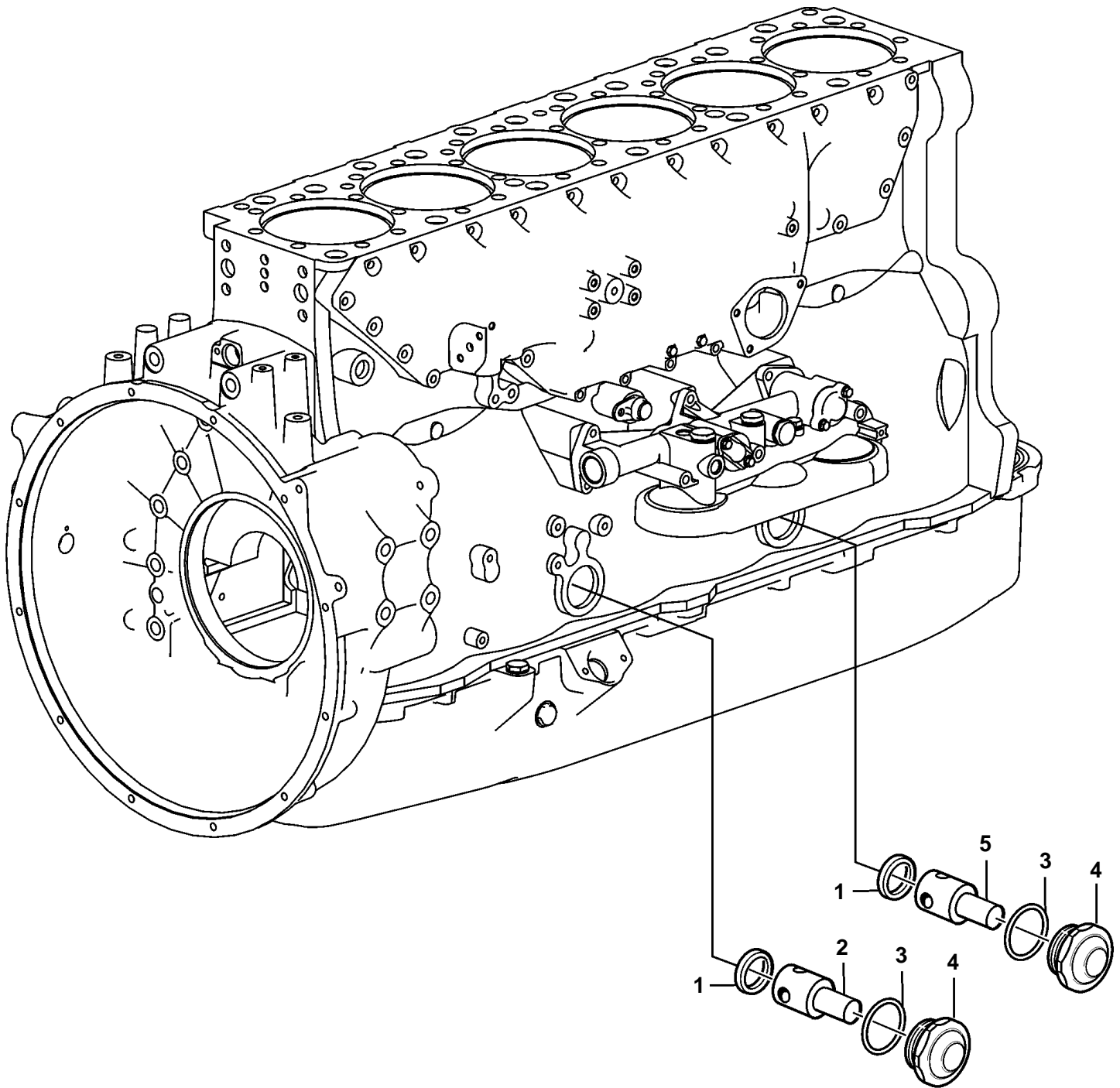


D12C-A MP, D12D-A MP, D12D-B MP, D12D-A MH, D12D-B MH



17916

D12C-A MP, D12D-A MP, D12D-B MP, D12D-A MH, D12D-B MH

REF	PART NO.	QTY	DESCRIPTION	NOTES
1	469846	2	Sealing ring	
2	471706	1	Reducing valve	Mounted between cylinder 4 and 5. For oil filter mounted in oil filter bracket.
	471812	1	Reducing valve	Mounted between cylinder 4 and 5. For high positioned and stern mounted oil filter.
3	948610	2	O-ring	
4	1547934	2	Cover	
5	471707	1	Reducing valve	Mounted between cylinder 2 and 3. For oil filter mounted in oil filter bracket.
	3826265	1	Reducing valve	Mounted between cylinder 2 and 3. For high positioned and stern mounted oil filter.