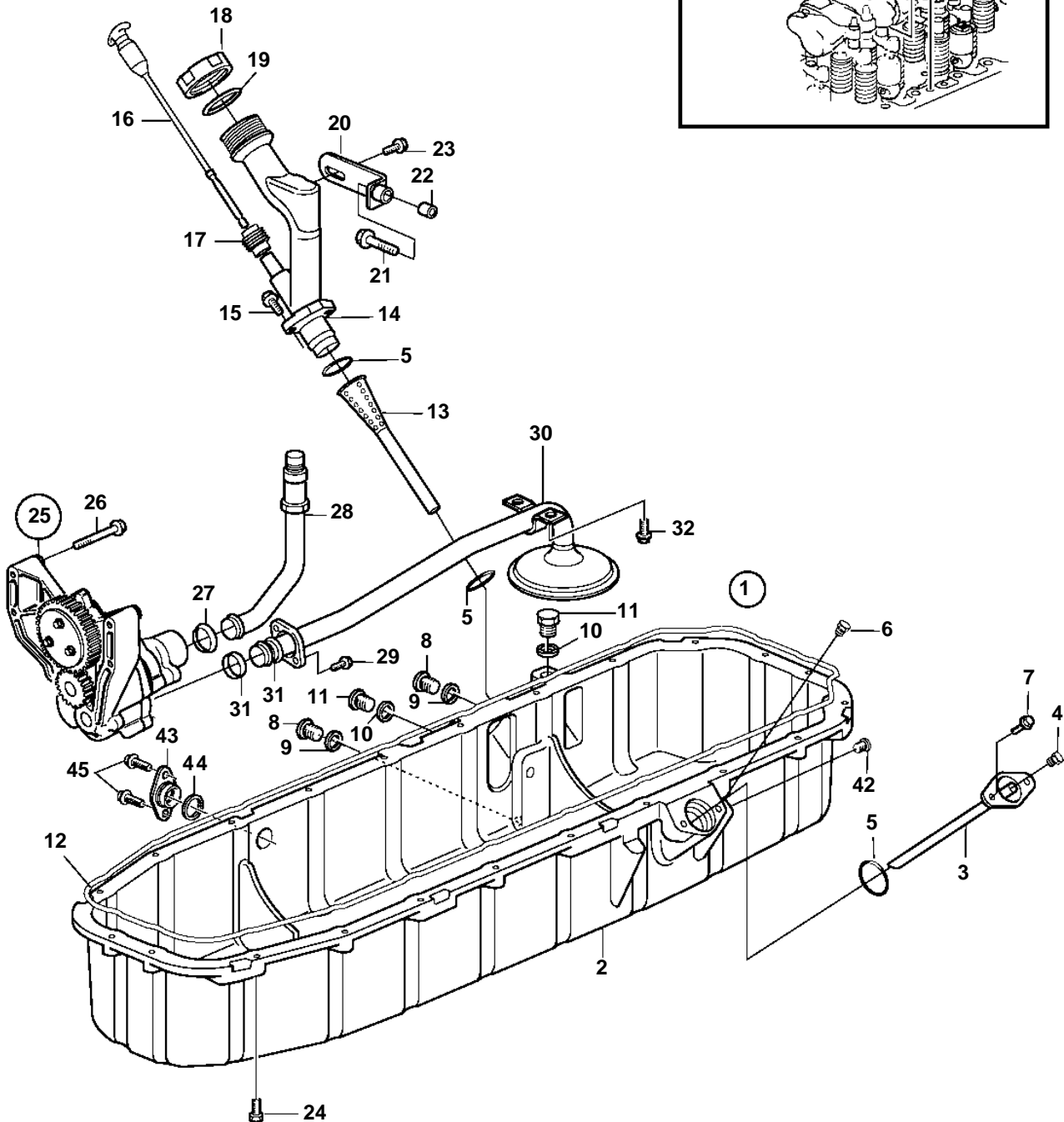
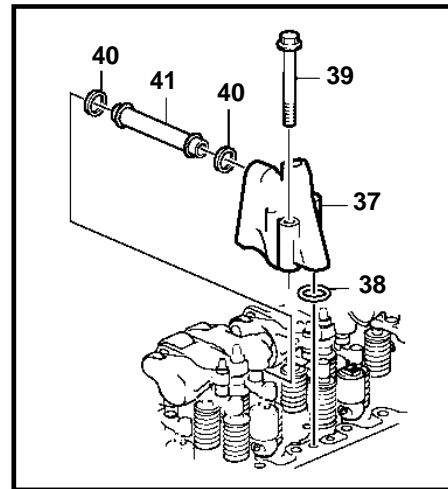
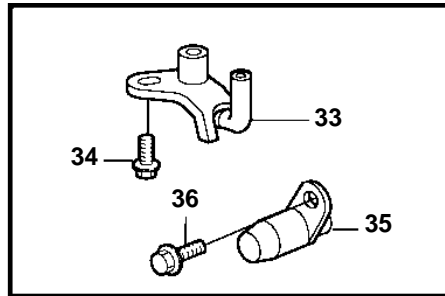


D12C-A MP, D12D-A MP, D12D-B MP, D12D-A MH, D12D-B MH



D12C-A MP, D12D-A MP, D12D-B MP, D12D-A MH, D12D-B MH

REF	PART NO.	QTY	DESCRIPTION	SEE SEC.	NOTES
1		1	Sump		
2	3588642	1	• Oil pan		
3	3827314	1	• Oil draining pipe		
4	479979	1	• • Plug		
5	421629	2	• Sealing ring		
6	479979	1	• Plug		
7	946173	2	• Flange screw		
8	949175	1	• Magnetic plug		
9	18813	2	• Gasket		
10	11998	2	• Gasket		
11	960632	2	• Plug		
12	8192235	X	Rubber moulding		L=2870mm ERS AV 3817972
	3817972	1	Rubber moulding		
13	3829805	1	Guide		
14	3827164	1	Oil filler pipe		
15	946173	2	Flange screw		
16	865918	1	Oil dipstick		
17	421723	1	• Rubber seal		
18	3154328	1	Oil filler cap		(1675839)
19	1675841	1	• Gasket		
20	3827163	1	Anchorage		
21	947760	1	Flange screw		
22	843075	1	Sleeve		Used when oil filler is mounted on left side.
23	946440	1	Flange screw		
24	947760	22	Flange screw		
25	8170261	1	Oil pump		(3165222)
				4276	
26	965181	4	Screw		
27	8170558	1	Sealing ring		
28	8170430	1	Oil feed pipe		
29	965181	2	Screw		
30	3808920	1	Suction pipe		
31	470383	2	Sealing ring		
32	946440	2	Flange screw		
33	3155151	6	Jet, piston cooling		
34	966378	6	Flange screw		
35	8170583	1	Nozzle, transmission		
36	471586	1	Screw		
37	8170702	1	Intermediate section		
38	1636309	1	Sealing ring		
39	3165142	2	Flange screw		
40	1677370	2	Sealing ring		
41	8193971	1	Outlet pipe		
42	479979	1	Plug		
43	3964803	1	Plug		
44	421629	1	Sealing ring		
45	946440	2	Flange screw		