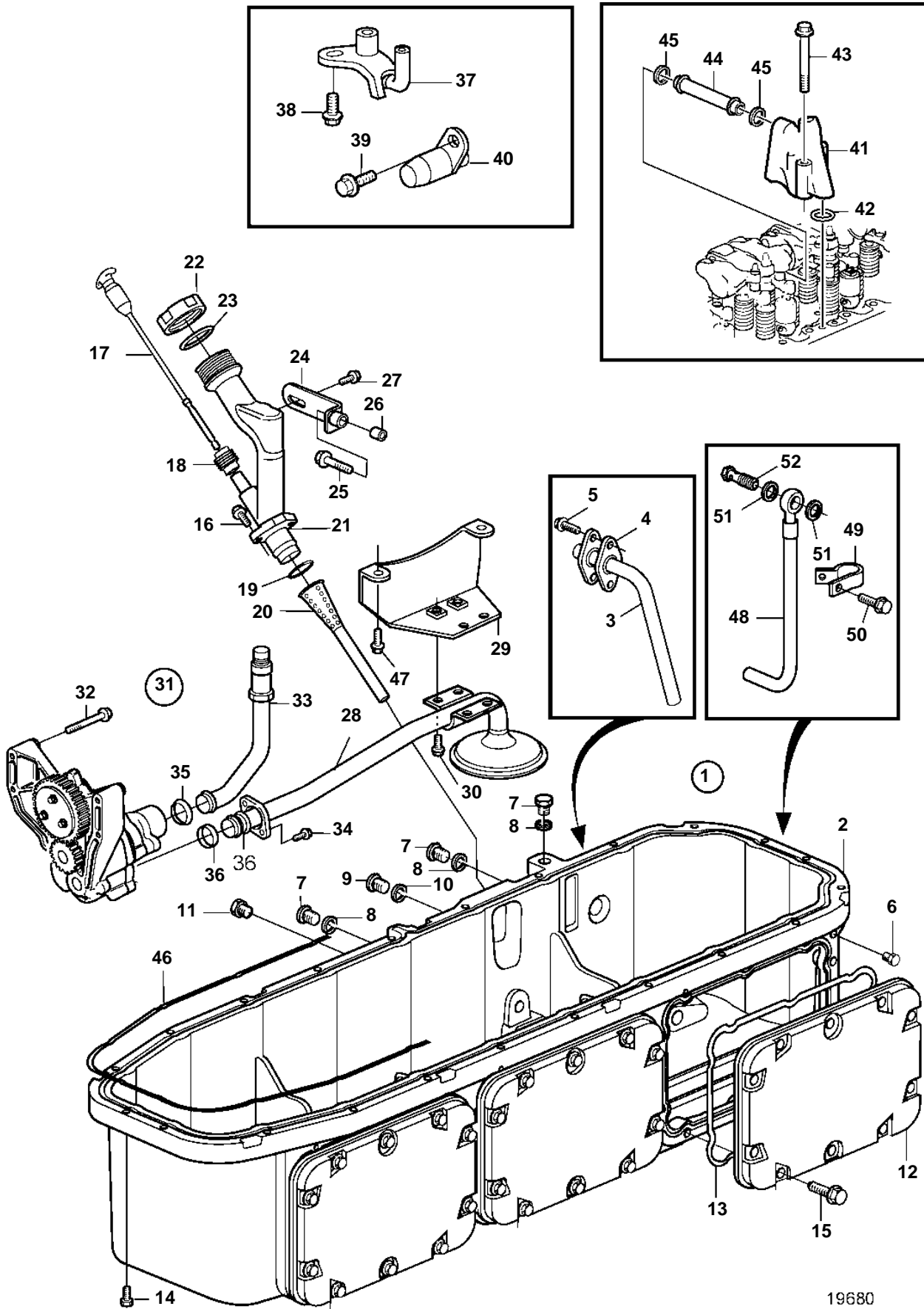


D12D-A MH, D12D-B MH



19680

D12D-A MH, D12D-B MH

REF	PART NO.	QTY	DESCRIPTION	SEE SEC.	NOTES
1		1	Sump		
2	3588622	1	• Oil pan		
3	896775	1	• Tube		
4	862602	1	• Gasket		
5	945444	2	• Flange screw		
6	479979	1	• Plug		
7	960632	3	• Plug		
8	11998	3	• Gasket		
9	949175	1	• Magnetic plug		
10	949329	1	• Gasket		
11	479956	1	• Plug		
12	866355	3	Hatch		
13	968204	3	O-ring		
14	947760	22	Flange screw		
15	946671	30	Flange screw		
16	946173	2	Flange screw		
17	3829996	1	Dipstick		
18	421723	1	• Rubber seal		
19	421629	1	Sealing ring		
20	3829805	1	Guide		
21	3827164	1	Oil filler pipe		
22	3154328	1	Oil filler cap		
23	20365079	1	Gasket		
24	3827163	1	Anchorage		
25	947760	1	Flange screw		
26	843075	1	Sleeve		
27	946440	1	Flange screw		
28	3808862	1	Suction pipe		
29	3829655	1	Bracket		Without ladder frame.
30	946440	2	Flange screw		
31	8170261	1	Oil pump		(3165222)
				4276	
32	965181	4	Screw		
33	20411298	1	Pressure pipe		
34	965181	2	Screw		
35	8170558	1	Sealing ring		
36	470383	2	Sealing ring		
37	3155151	6	Jet		
38	966378	6	Flange screw		
39	471586	1	Screw		
40	8170583	1	Nozzle		
41	8170702	1	Intermediate section		
42	1636309	1	• Sealing ring		
43	3165142	2	Flange screw		
44	8193971	1	Outlet pipe		
45	1677370	2	Sealing ring		
46	8192235	X	Rubber moulding		L=2870mm
47		2	Screw		
48	3829529	1	Tube		
49	18387	1	Clamp		
50	946440	1	Flange screw		
51	969011	2	Gasket		
52	25167	1	Hollow screw		