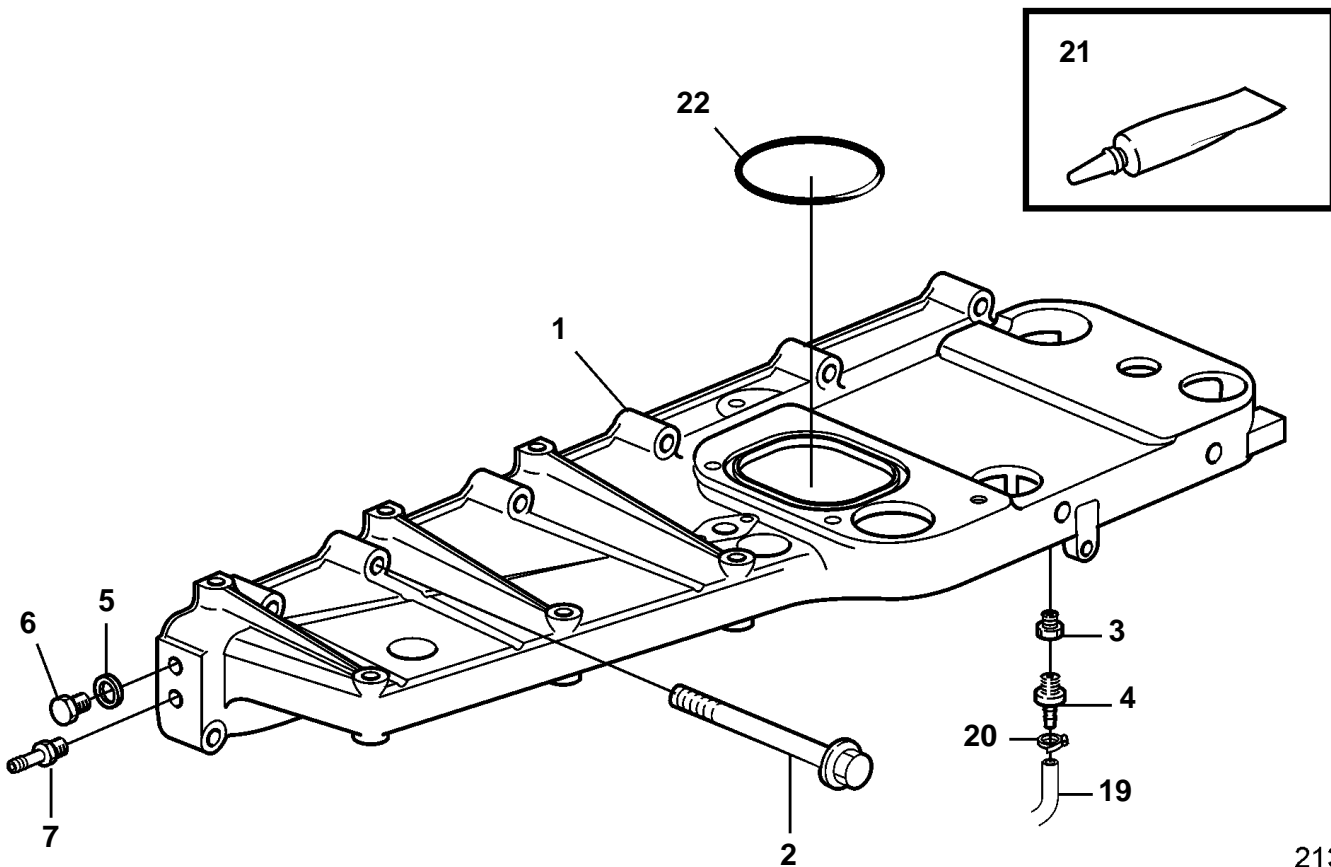
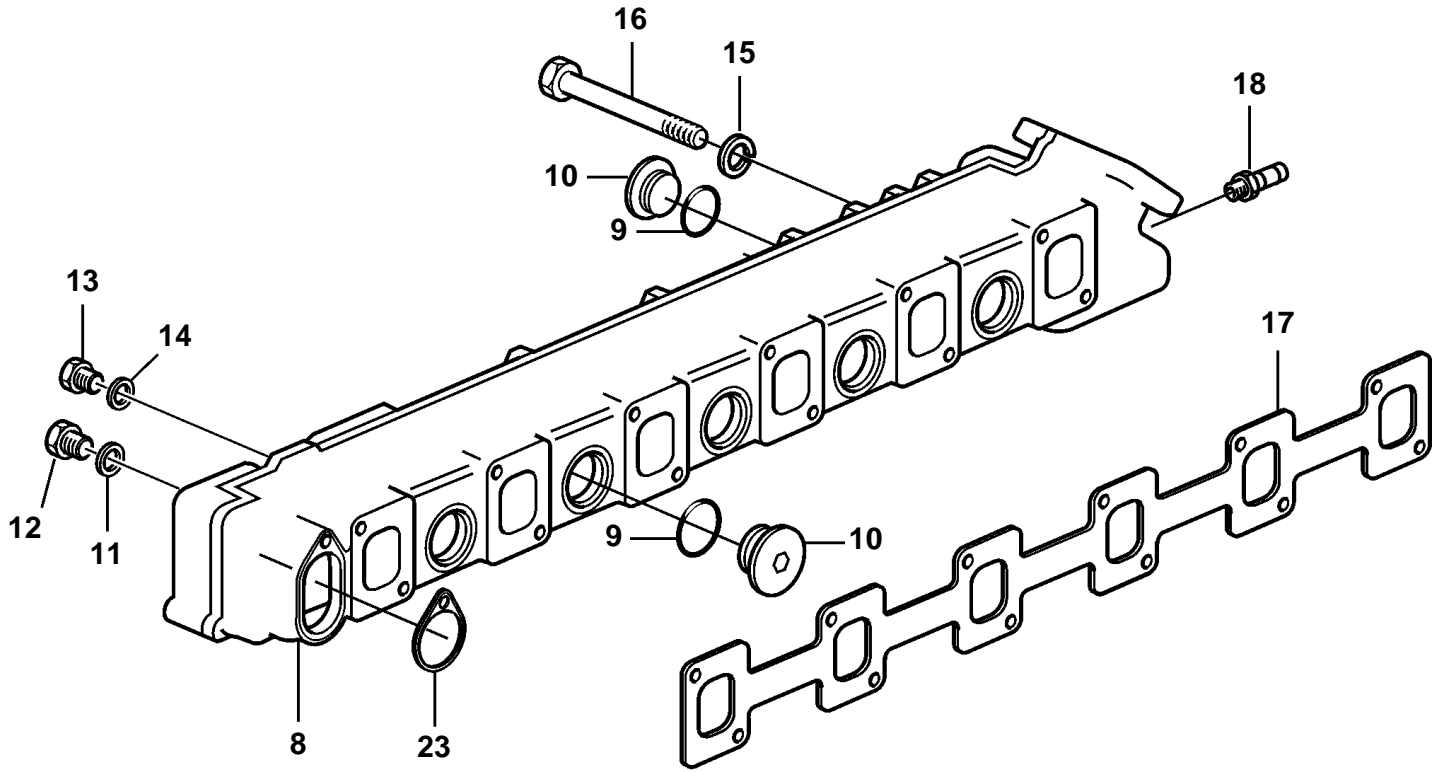


D12D-B MP



D12D-B MP

| REF | PART NO. | QTY | DESCRIPTION | NOTES |
|-----|----------|-----|----------------------------------|---------|
| 1 | 3819942 | 1 | Inlet pipe | |
| 2 | 965180 | 12 | Flange screw | |
| 3 | 862109 | 1 | Nipple | |
| 4 | 180003 | 1 | Nipple | |
| 5 | 907132 | 1 | Gasket | |
| 6 | 479979 | 1 | Plug | |
| 7 | 180003 | 1 | Nipple | |
| 8 | 3838864 | 1 | Exhaust pipe | |
| 9 | 469328 | 13 | · Gasket | |
| 10 | 467367 | 13 | · Plug | |
| 11 | 943908 | 3 | · Gasket | |
| 12 | 914392 | 3 | · Plug | |
| 13 | 960632 | 1 | · Plug | |
| 14 | 11998 | 1 | · Gasket | |
| 15 | 941908 | 12 | Spring washer | |
| 16 | 963261 | 12 | Hexagon screw | L=160mm |
| | 981377 | 4 | Flange screw, bracket oil filter | L=165mm |
| 17 | 3838953 | 1 | Gasket | |
| 18 | 949918 | 1 | Drain cock | |
| 19 | 942700 | X | Hose | L=600mm |
| 20 | 961662 | 1 | Clamp | |
| 21 | 1161231 | X | Sealant | 304ml |
| | 1161277 | X | Sealant | 10g |
| 22 | 976063 | 1 | Sealing ring | |
| 23 | 3838342 | 1 | Gasket | |