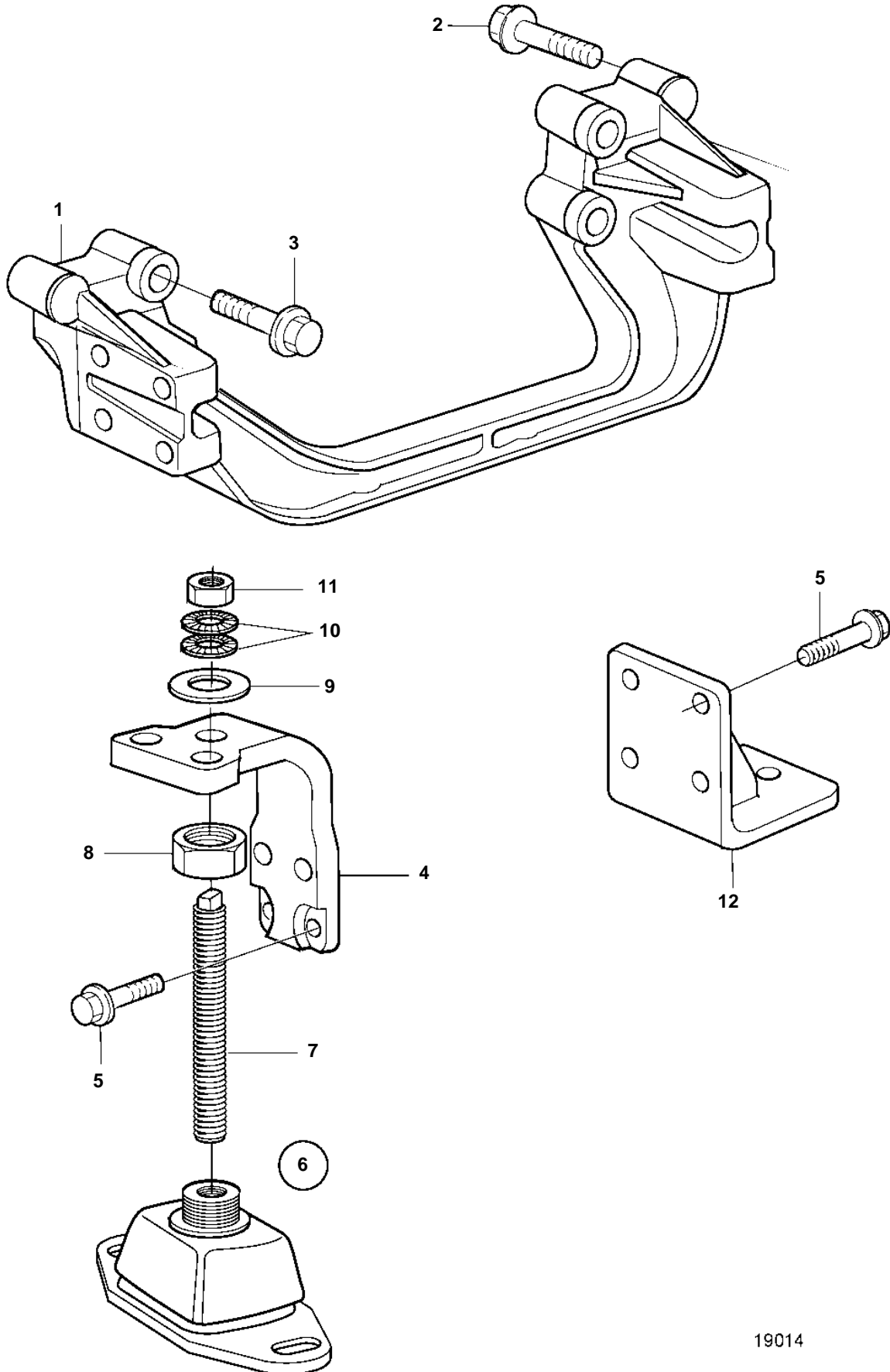


D12C-A MP, D12D-A MP, D12D-B MP, D12D-A MH, D12D-B MH



19014

D12C-A MP, D12D-A MP, D12D-B MP, D12D-A MH, D12D-B MH

REF	PART NO.	QTY	DESCRIPTION	NOTES
1	865410	1	Engine mountings	
2	975120	4	Flange screw	
3	967786	4	Flange screw	
4	3826586	2	Engine mountings, front	
5	955364	8	Screw	
6	3836700	4	Rubber cushion	(3827434)
7	3828724	1	· Adjusting screw	
8	3836667	1	· Nut	
9	120224	1	· Washer	
10	847766	2	· Lock washer	
11	955786	1	· Nut	
12	3827456	2	Bracket, rear	Only mounted in flywheel housing on D12C-A MP, D12D-A MP.