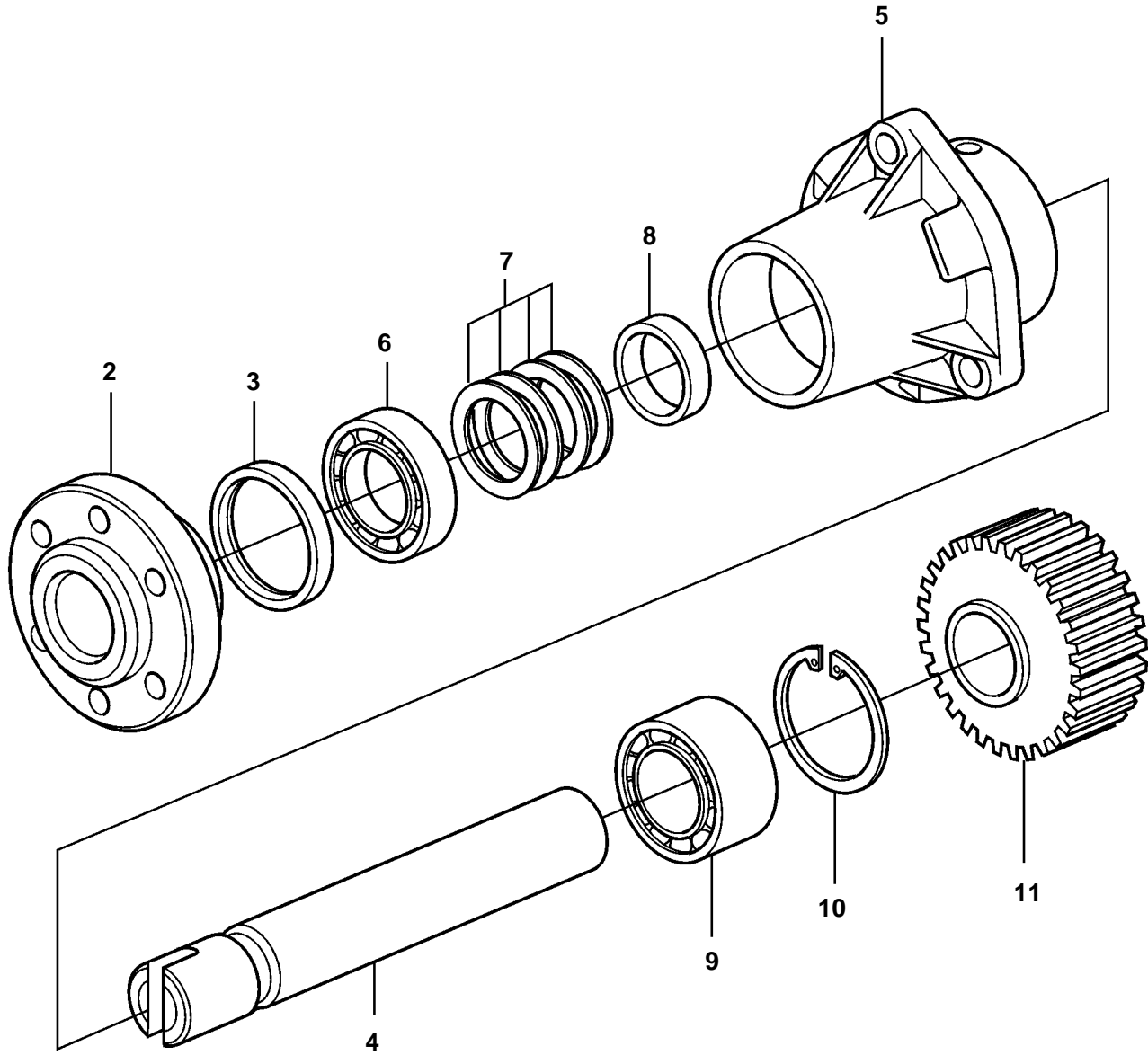


D12C-A MP, D12D-A MP, D12D-B MP, D12D-A MH, D12D-B MH

1



D12C-A MP, D12D-A MP, D12D-B MP, D12D-A MH, D12D-B MH

REF	PART NO.	QTY	DESCRIPTION
1	8193986	1	Drive outlet
2	1547846	1	• Hub
3	1546480	1	• Sealing ring
4		1	• Shaft
5		1	• Bearing housing
6	11013	1	• Ball bearing
7	1677558	4	• Disc spring
8		1	• Spacer
9	471499	1	• Ball bearing
10	914532	1	• Snap ring
11		1	• Gear