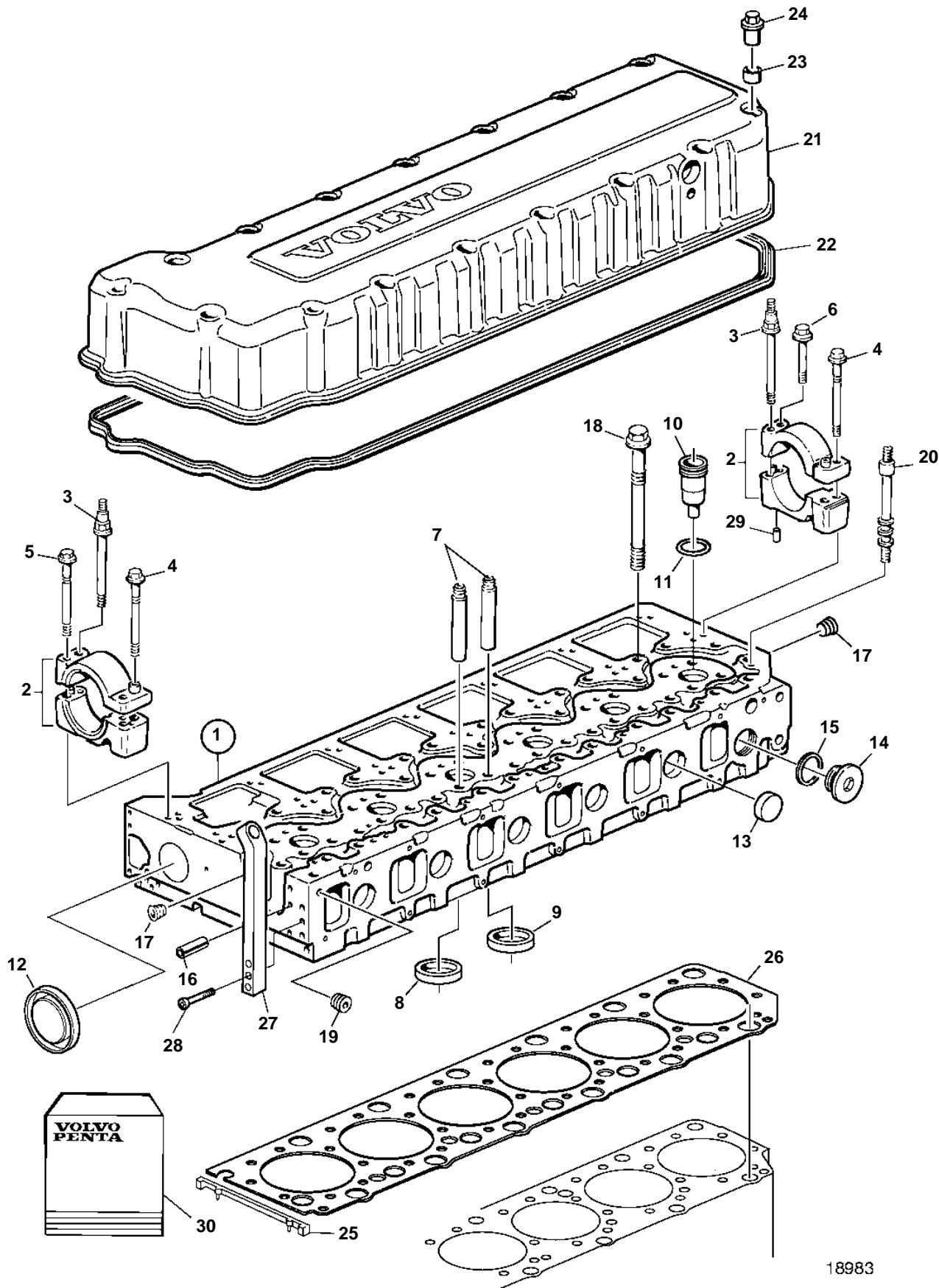


D12D-A MP, D12D-B MP, D12D-A MH, D12D-B MH



D12D-A MP, D12D-B MP, D12D-A MH, D12D-B MH

REF	PART NO.	QTY	DESCRIPTION	NOTES
1	3586648	1	Cylinder head	(20487477) (E.U=3803630
	3803666	1	Cylinder head, exch	Exchange unit
2	3165130	1	· Bearing housing, front	
	3165136	6	· Bearing housing	
3	8170626	7	· Stud	
4	1547889	14	· Screw	L=127mm
5	1547888	1	· Screw	L=106mm
6	1677283	6	· Screw	L=70mm
7	3165303	24	· Valve guide	
8	20482579	12	· Valve seat, inlet	STD
9	20412798	12	· Valve seat, outlet	STD
	20430463	12	· Valve seat, outlet	O.S=0,20mm
10	3183368	6	· Sleeve	
11	20536487	6	· O-ring	
12	8170553	1	· Plug	
13	8131707	11	· Cap plug	
14	3165025	1	Plug	
15	949659	1	O-ring	
16	422426	1	Pin	
17	968062	2	Plug	
18	1547419	38	Screw	
19	968060	1	Plug	
20	8148863	9	Stud	
21	20545669	1	Valve cover	(20450395)
22	8170116	1	Sealing strip	
23	3964604	16	Bushing	
24	8148488	16	Cap nut	
25	20489341	1	Sealing strip	(8170473)
26	3099100	1	Gasket kit	(3093503)
27		1	Lifting eye	
28	959265	3	Allen head screw	
29	950562	14	Pin	Included in overhaul kit 3165309.
30	3830718	1	De-carbonizing kit	SEE GROUP 99
	3165309	1	Overhaul kit	SEE GROUP 99