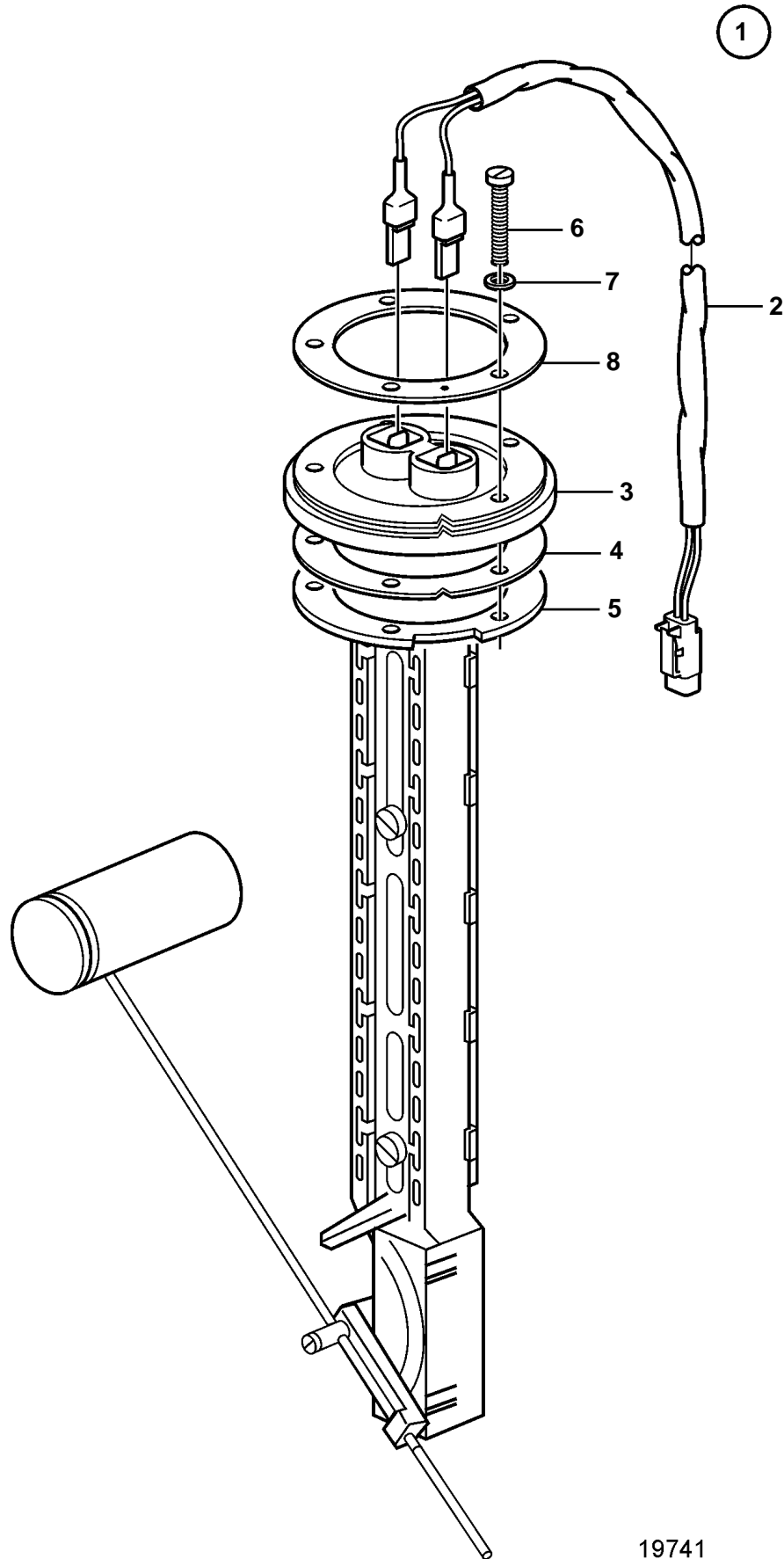


D12D-A MP, D12D-B MH



19741

D12D-A MP, D12D-B MH

REF	PART NO.	QTY	DESCRIPTION	NOTES
1	874840	1	Sender, set	
2	874807	1	• Cable kit	L=6,0m
3	873772	1	• Tank sensor	
4	89865	1	• • Gasket	
5	834480	1	• • Flange	
6	969407	4	• • Screw	L=16mm
	956081	1	• • Screw	(956078)
				L=25mm
7	834481	5	• • Gasket	
8		1	• • Flange	